



ENGLISH	Instructions for Use Silk Road Medical ENROUTE® Transcarotid Stent System2 Definitions of Symbols.....58
DEUTSCH	Gebrauchsanweisung Silk Road Medical ENROUTE® Transkarotidales Stentsystem..... 10 Symbolerklärung58
ESPAÑOL	Modo de empleo Sistema de stent transcarotídeo ENROUTE® de Silk Road Medical ... 18 Definición de los símbolos58
NEDERLANDS	Instructies voor gebruik Silk Road Medical ENROUTE® stentsysteem voor toegang tot de halsslagader.....26 Definities van symbolen58
ITALIANO	Istruzioni per l'uso Sistema di stent transcarotideo ENROUTE® Silk Road Medical34 Definizioni dei simboli.....58
FRANÇAIS	Mode d'emploi Système d'endoprothèse transcarotidienne ENROUTE® de Silk Road Medical.....42 Définitions des symboles58
MAGYAR	Használati utasítás Silk Road Medical ENROUTE® transzkarotisz sztent rendszer50 Szimbólumok jelentése58

Instructions for Use

Silk Road Medical

ENROUTE® Transcarotid Stent System

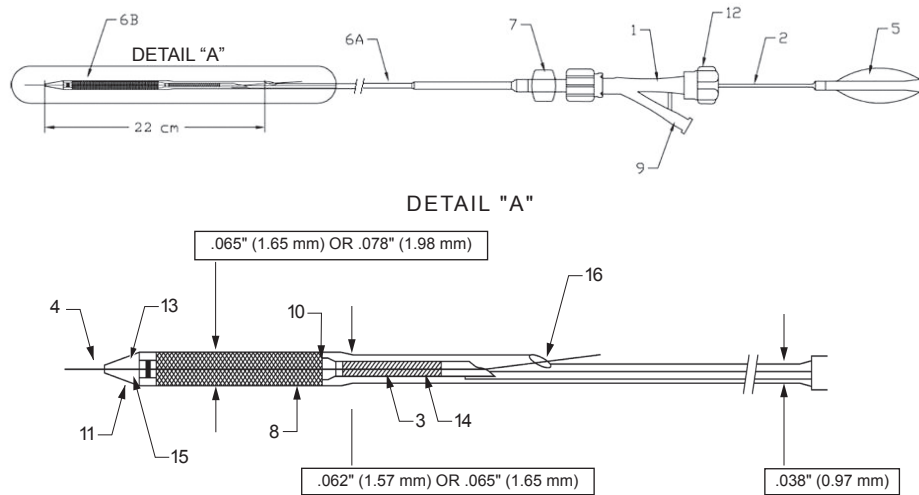


Figure 1. ENROUTE TRANSCAROTID STENT SYSTEM

- | | |
|------------------------------|--|
| 1. Tuohy Borst valve | 9. Tuohy Borst Y-Connection |
| 2. Hypotube | 10. Proximal Inner Shaft Marker (Stop) Marks Trailing End of Stent |
| 3. Coil | 11. Outer Sheath Radiopaque Marker |
| 4. Catheter Inner Shaft Tip | 12. Proximal Valve End |
| 5. Inner Shaft Hub | 13. Distal Inner Shaft Stent Marker |
| 6A. Proximal Shaft | 14. Coil Sleeve |
| 6B. Distal Outer Sheath | 15. Wire Lumen |
| 7. Outer Sheath Luer Hub | 16. Guidewire Exit Port |
| 8. Pod Housing Crimped Stent | |

STERILE. Sterilized with ethylene oxide gas. Nonpyrogenic. Radiopaque. For one use only. Do not resterilize. Store in a cool, dark, dry place.

Use only with Silk Road Medical ENROUTE Transcarotid Neuroprotection System.

Not for sale in the U.S.A.

I. Device Name

The device brand name is the Silk Road Medical **ENROUTE**® Transcarotid Stent System.

II. Description

The Silk Road Medical **ENROUTE** Transcarotid Stent System consists of a nitinol self-expanding stent preloaded on a .065" (1.65 mm) or .078" (1.98 mm) sheathed delivery system. The delivery system consists mainly of an inner shaft and an outer sheath with radiopaque markers, and a Tuohy Borst valve. The inner shaft consists of a support member and wire lumen. The proximal portion of the support member is comprised of a hub connected to a stainless steel wire and hypotube and distally of a stainless steel coil. The wire lumen originates distally in a catheter tip and terminates proximally at a guidewire exit port designed to accept a .014" (0.36 mm) guidewire. The outer sheath has a proximal shaft and distal outer sheath with a nominal working length of 57 cm. The self-expanding stent is constrained within the space between the inner shaft and the distal outer sheath, located between distal and proximal stent markers on the inner shaft. The stent expands to its unconstrained diameter when released from the deployment catheter into the vessel. Upon deployment, the stent forms a lattice and to push outward on the luminal surface, helping to maintain the patency of the vessel. Due to the self-expanding behavior of nitinol, the stents are indicated for placement into vessels that are 1-2 mm smaller in diameter than the unconstrained diameter of the stent. Device depictions and components are provided in **Figure 1**.

III. Indications for Use

The Silk Road Medical (SRM) **ENROUTE** Transcarotid Stent System, used in conjunction with a Silk Road Medical (SRM) **ENROUTE** Transcarotid Neuroprotection System, is indicated for use in patients with stenotic lesions of the carotid artery(ies).

IV. Contraindications

Generally, contraindications to PTA are also contraindications for stent placement. Contraindications include, but may not be limited to:

- Patients with highly calcified lesions resistant to PTA.
- Patients with a target lesion with a large amount of adjacent acute or subacute thrombus.
- Patients with uncorrected bleeding disorders.
- Stenting of intra-cranial arteries.

V. Warnings

- The black dotted pattern on the grey temperature exposure indicator, found on the pouch, must be clearly visible. Do not use if entire circle is completely black as the unconstrained stent diameter may be compromised.
- The SRM **ENROUTE** Transcarotid Stent System is intended for single use only. DO NOT resterilize and/or reuse the device.
- Reuse of this product, including after reprocessing and/or re-sterilization, may cause a loss of structural integrity which could lead to a failure of the device to perform as intended and may lead to a loss of critical labeling/use information all of which present a potential risk to patient safety.
- Do not use if the pouch is opened or damaged.
- Use the stent and delivery system prior to the "Use By" date specified on the package.
- Do not use with Ethiodol or Lipiodol (Ethiodol and Lipiodol are trademarks of Guerbet S.A.) contrast media.
- Do not expose the delivery system to organic solvents (e.g. alcohol).
- Use of a smaller than indicated accessory device other than a SRM **ENROUTE** Transcarotid Neuroprotection System's Transcarotid Arterial Sheath can lead to introduction of air into that device as the stent delivery system is advanced, which may not be removed during air aspiration.

- The stent is not designed for dragging or repositioning.
- Once the stent is partially deployed, it cannot be recaptured using the stent delivery system.
- As with any type of vascular implant, infection, secondary to contamination of the stent, may lead to thrombosis, pseudoaneurysm or rupture.
- The stent may cause a thrombus, distal embolization, or may migrate from the site of the implant down the arterial lumen.
- Overstretching of the artery may result in rupture and life-threatening bleeding.

It is not recommended that the stent be used in patients with the following characteristics:

- Persons with allergic reaction to nickel titanium (Nitinol) who may suffer an allergic response to this implant.
- Patients with poor renal function, who, in the physician's opinion, may be at risk for a reaction to contrast medium.
- Pregnant patients.
- Patients with bleeding disorders or patients who cannot receive anticoagulation or antiplatelet aggregation therapy.
- Patients with perforated vessels evidenced by extravasation of contrast media.
- Patients who have aneurysmal dilation immediately proximal or distal to the lesion.

VI. Precautions

- The device is intended for use by physicians who have received appropriate training in such interventional techniques as endovascular procedures and placement of intravascular stents.
- The delivery system is not designed for the use of power injection. Use of power injection may adversely affect the device performance.
- When catheters are in the body, they should be manipulated only under fluoroscopy.
- Radiographic equipment that provides high quality images is needed.
- When treating multiple lesions, the distal lesion should be initially stented, followed by stenting of the proximal lesion. Stenting in this order obviates the need to cross the proximal stent in placement of the distal stent and reduces the chance for dislodging stents which may have already been placed.
- Recrossing a deployed stent with adjunct devices must be performed with caution.
- In the event of thrombosis of the expanded stent, thrombolysis and PTA should be attempted.
- In the event of complications such as infection, pseudoaneurysm or fistulization, surgical removal of the stent may be required. Standard surgical procedure is appropriate.
- In patients requiring the use of antacids and/or H2-antagonists before or immediately after stent placement, oral absorption of antiplatelet agents (e.g. aspirin) may be adversely affected.
- Venous access should be available during carotid stenting in order to manage bradycardia and/or hypotension either by pharmaceutical intervention or placement of a temporary pacemaker, if needed.
- The SRM **ENROUTE** Transcarotid Stent System is shipped with the Tuohy Borst valve in the **OPEN** position (see "Preparation of the Stent Delivery System").
- Prior to stent deployment remove all slack from the catheter delivery system (see "Stent Deployment").
- Ensure that the catheter system is flushed according to the steps outlined in "Introduction of Stent Delivery System" and "Preparation of Stent Delivery System." Failure to do so could result in air entering the access catheter.
- **Store in a cool, dark, dry place.**

VII. Potential Complications

Procedures requiring endovascular catheter introduction should not be attempted by physicians unfamiliar with the possible complications. Complications may occur at any time during or after the procedure.

Potential complications may include, but are not limited to:

- Death
- Respiratory arrest
- Emergency artery bypass graft surgery
- Hemorrhagic or embolic stroke/TIA
- Renal failure
- Sepsis/infection
- Embolism
- Coronary ischemia
- Arrhythmia
- Drug reactions, allergic reaction to contrast medium or to the implanted device
- Vascular injury, including perforation, rupture, and dissection
- Disseminated intravascular coagulation
- New or worse encephalopathy
- G.I. bleeding from anticoagulation/antiplatelet medication
- Hemorrhage
- Parenchymal hemorrhage
- Aneurysm and pseudoaneurysm formation
- Intimal tear/dissection
- Stent migration/embolization
- Thrombosis
- Bradycardia and hypotension
- Arteriovenous fistula
- Tissue necrosis
- Stent misplacement
- Vessel occlusion, restenosis or recurrent stricture
- Hematoma
- Carotid artery spasm

VIII. Directions for Use

Pre-Procedure

The patient should be started on nonbuffered, nonenteric-coated aspirin 72 hours prior to the procedure per standard hospital dosing guidelines or as prescribed by a physician. Antiplatelet therapy should be administered 24-48 hours prior to the procedure, according to hospital protocol. Antiplatelet therapy following a carotid stenting procedure should be administered per physician instructions.

The endovascular placement of the stent in a stenotic carotid artery should be done in an angiography procedure room. Angiography should be performed to map out the extent of the lesion(s) and the collateral flow. Access vessels must be sufficiently patent or sufficiently recanalized, to proceed with further intervention. Patient preparation and sterile precautions should be the same as for any endovascular procedure.

- 1. Inject Contrast Media**
Perform an angiogram using standard technique.
- 2. Identify and mark the lesion**
Fluoroscopically identify and mark the lesion, observing the most distal level of the stenosis.

Device Selection and Preparation**1. Select Stent Size**

Measure the length of the target lesion to determine the length of stent(s) required. Measure the diameter of the reference vessel (proximal and distal to the lesion). It is necessary to select a stent which has an unconstrained diameter that is at least 1 mm larger than the largest reference vessel diameter to achieve secure placement according to the following Stent Size Selection Table.

Stent Size Selection Table		
Vessel Lumen Diameter	Unconstrained Stent Diameter	% Length Foreshortening
3.0 – 4.0 mm	5.0 mm	1.2%
4.0 – 5.0 mm	6.0 mm	2.4%
5.0 – 6.0 mm	7.0 mm	4.1%
6.0 – 7.0 mm	8.0 mm	6.2%
7.0 – 8.0 mm	9.0 mm	5.8%
8.0 – 9.0 mm	10.0 mm	8.0%

Refer to product labeling for stent length.

Note: The percent foreshortening of the stent length is based upon a mathematical calculation.

2. Preparation of Stent Delivery System

CAUTION: The stent delivery system is shipped with the Tuohy Borst valve **OPEN**. Be careful not to prematurely deploy the stent during preparation. Prep the device in the tray per instructions below. Close the Tuohy Borst valve prior to removing the device from the tray.

- a. Open the outer box to reveal the pouch containing the stent and delivery system.
- b. Check the temperature exposure indicator on the pouch to confirm that the black dotted pattern with a grey background is clearly visible. See Warnings section.
- c. After careful inspection of the pouch looking for damage to the sterile barrier, carefully peel open the pouch and remove the tray. If it is suspected that the sterility or performance of the device has been compromised, the device should not be used.
- d. While in the tray, attach a stopcock to the Y connection on the Tuohy Borst valve.
- e. Attach a 5-cc syringe filled with heparinized saline to the open stopcock and apply positive pressure until saline weeps from the proximal end of the Tuohy Borst valve. Lock the Tuohy Borst valve.
- f. Close the stopcock attached to the Tuohy Borst Y connection.
- g. Extract the stent delivery system from the tray. Examine the device for any damage. Evaluate the distal end of the catheter to ensure that the stent is contained within the outer sheath. Do not use if the stent is partially deployed. If a gap between the catheter tip and outer sheath tip exists, open the Tuohy Borst valve and gently pull the inner shaft in a proximal direction until the gap is closed. Lock the Tuohy Borst valve after the adjustment by rotating the proximal valve end in a clockwise direction.

Stent Deployment Procedure**1. Placement of SRM ENROUTE Transcarotid Neuroprotection System.**

- a. Access the treatment site using a SRM ENROUTE Transcarotid Neuroprotection System.

NOTE: Please refer to the ENROUTE Transcarotid Neuroprotection System's Instructions for Use for placement procedure and use of the device.

- b. The **ENROUTE** Transcarotid Stent System is compatible with a .014" (0.36 mm) or smaller guidewire.
- 2. Dilatation of Lesion**
 - a. If appropriate, pre-dilate the lesion using standard PTA techniques.
 - b. Remove the PTA balloon catheter from the patient maintaining lesion access with the guidewire.
- 3. Introduction of Stent Delivery System**
 - a. Flush the guidewire lumen of the stent delivery system with heparinized saline by connecting a 5-cc syringe filled with heparinized saline solution to the stopcock attached to the Y connection (9) on the Tuohy Borst valve (1) to expel air. Ensure that the Tuohy Borst valve (1) is in the locked position to prevent premature stent deployment. Apply positive pressure to the syringe until saline weeps from the guidewire exit port (16). While covering the guidewire exit port (16) with thumb and forefinger, apply positive pressure to the syringe until saline weeps from the catheter tip (4) and the space between the outer sheath radiopaque marker (11) and the catheter tip (4). Continue to flush to ensure all air is removed from the system, and then close the stopcock attached to the Y connection (9) on the Tuohy Borst valve (1).
 - b. Ensure that the Tuohy Borst valve connecting the inner shaft and outer sheath is locked by rotating the proximal valve end in a clockwise direction to prevent premature stent deployment.
 - c. Advance the SRM **ENROUTE** Transcarotid Stent System over the .014" (0.36 mm) guidewire until the guidewire exit port (16) is just outside the ENROUTE Transcarotid Neuroprotection System's Transcarotid Arterial Sheath valve. Look for and confirm back flow through the guidewire exit port (16) opening.
 - d. After confirming back flow, advance the SRM ENROUTE Transcarotid Stent System to the lesion site.
 - e. Perform contrast injections in accordance to ENROUTE Transcarotid Neuroprotection System Instructions for Use.
- 4. Slack Removal**
 - a. Advance the stent delivery system past the lesion site.
 - b. Pull back the stent delivery system until the radiopaque inner shaft markers (leading and trailing ends) move in position so that they are proximal and distal to the target lesion.
 - c. Ensure that the stent delivery system outside the patient remains flat and straight.

CAUTION: Slack in the catheter shaft either outside or inside the patient may result in deploying the stent beyond the lesion site.

5. Stent deployment

NOTE: When ready to proceed with stent deployment, heparin may be administered per standard hospital practice or as prescribed by a physician. Heparin may be continued following stent deployment if so indicated by a physician or hospital protocol.

- a. Verify that the delivery system's radiopaque inner shaft markers (leading and trailing ends) are proximal and distal to the target lesion.
- b. Unlock the Tuohy Borst valve connecting the inner shaft and outer sheath of the delivery system.
- c. Ensure that the access sheath does not move during deployment.
- d. Initiate stent deployment by retracting the outer sheath while holding the inner shaft in a fixed position. Deployment is complete when the outer sheath marker passes the proximal inner shaft stent marker.

NOTE: The mechanism for stent deployment is outer sheath retraction. Deployment is completed by maintaining inner shaft position while retracting the outer sheath and allowing the stent to expand (often referred to as the “pin-and-pull” method).

NOTE: When more than one stent is required to cover the lesion, the more distal stent should be placed first. Efforts should be taken to minimize the stent overlap. In no instance, should more than two (2) stents ever overlap.

6. Post-deployment Stent Dilatation

- a. While using fluoroscopy, withdraw the entire delivery system as one unit, over the guidewire and out of the body. Remove the delivery device from the guidewire.

NOTE: If any resistance is met during delivery system withdrawal, advance the outer sheath until the outer sheath marker contacts the catheter tip and withdraw the system as one unit. (Do not remove guidewire.)

- b. Using fluoroscopy, visualize the stent to verify full deployment.
- c. If incomplete expansion exists within the stent at any point along the lesion, post deployment balloon dilatation (standard PTA) technique) can be performed.
- d. Select an appropriately sized PTA balloon catheter and dilate the lesion with conventional technique. The inflation diameter of the PTA balloon catheter used for post dilatation should approximate the diameter of the reference vessel. Remove the PTA balloon catheter from the patient.

7. Post Stent Placement

- a. A post stent angiogram should be obtained.
- b. Remove the SRM ENROUTE Transcarotid Neuroprotection System in accordance with SRM ENROUTE Transcarotid Neuroprotection System Instructions for Use and establish hemostasis.
- c. Discard the SRM **ENROUTE** stent delivery system, guidewire, and SRM ENROUTE Transcarotid Neuroprotection System.

NOTE: Physician experience and discretion will determine the appropriate post procedure drug regimen for each patient.

IX. MRI Compatibility



Non-clinical testing has demonstrated that the ENROUTE Transcarotid Stent is MR Conditional. A patient with this device can be scanned safely in an MR system meeting the following conditions:

- Static magnetic field of 1.5-Tesla or 3-Tesla, only
- Maximum spatial gradient magnetic field of 4,000 Gauss/cm (40 Tesla/m) or less
- Maximum MR system reported, whole body averaged specific absorption rate (SAR) of 2-W/kg (Normal Operating Mode)

Under the scan conditions defined above, the ENROUTE Transcarotid Stent is expected to produce a maximum temperature rise of 2.4°C after 15 minutes of continuous scanning.

In non-clinical testing, the image artifact caused by the device extends approximately 5 mm from the ENROUTE Transcarotid Stent when imaged with a gradient echo pulse sequence and a 3-Tesla MRI system. The artifact does obscure the device lumen.

X. How supplied

The SRM **ENROUTE** Transcarotid Stent System is supplied sterile (by ethylene oxide gas) and is intended for ONE USE ONLY.

DISCLAIMER OF WARRANTY AND LIMITATION OF REMEDY

SILK ROAD MEDICAL, INC. PROVIDES NO EXPRESS OR IMPLIED REPRESENTATION OR WARRANTY FOR ANY OF ITS PRODUCTS, INCLUDING WITHOUT LIMITATION ANY IMPLIED WARRANTY OF MERCHANTABILITY OR FITNESS FOR A PARTICULAR PURPOSE. UNDER NO CIRCUMSTANCES SHALL SILK ROAD MEDICAL BE LIABLE FOR ANY DIRECT, INCIDENTAL, OR CONSEQUENTIAL DAMAGES OTHER THAN AS EXPRESSLY PROVIDED BY SPECIFIC LAW. NO PERSON HAS THE AUTHORITY TO BIND SILK ROAD MEDICAL TO ANY REPRESENTATION OR WARRANTY TO THE CONTRARY, EXCEPT AS SPECIFICALLY SET FORTH HEREIN.

Descriptions or specifications in Silk Road Medical printed matter, including this IFU, are meant solely to generally describe the product(s) at the time of manufacture and do not constitute any express or implied representation or warranty for any product, including without limitation any implied warranty or merchantability or fitness for a particular purpose.

All Silk Road Medical products are intended for single use only. None is to be reused or resterilized for any purpose and none has been validated for multiple uses. Silk Road Medical shall not be responsible for any damages, including without limitation direct, incidental, or consequential damages resulting from reuse or resterilization of its products.

Gebrauchsanweisung Silk Road Medical ENROUTE® Transkarotidales Stentsystem

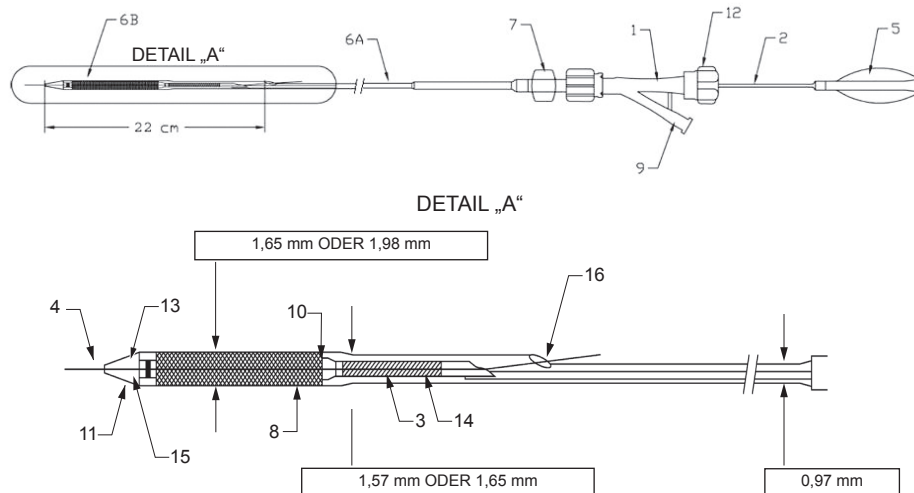


Abbildung 1. ENROUTE TRANSKAROTIDALES STENTSYSTEM

- | | |
|------------------------------------|---|
| 1. Tuohy-Borst-Ventil | 9. Y-Anschluss des Tuohy-Borst-Ventils |
| 2. Hyporöhrchen | 10. Proximaler Marker am Innenkatheter (Arretierung) kennzeichnet das hintere Ende des Stents |
| 3. Spirale | 11. Röntgensichtbarer Marker am Außenkatheter |
| 4. Spitze des Innenkatheters | 12. Ende des proximalen Ventils |
| 5. Anschluss am Innenkatheter | 13. Distaler Marker am Innenkatheter |
| 6A. Proximaler Schaft | 14. Spiralenhülse |
| 6B. Distaler Außenkatheter | 15. Drahtlumen |
| 7. Luer-Anschluss am Außenkatheter | 16. Ausgangsanschluss des Führungsdrahtes |
| 8. Hülse mit gecrimptem Stent | |

STERIL. Sterilisiert mit Ethylenoxid-Gas. Pyrogenfrei. Röntgensichtbar. Nur zum Einmalgebrauch. Nicht erneut sterilisieren. Trocken, dunkel und kühl aufbewahren.

Nur zusammen mit dem Silk Road Medical ENROUTE transkarotidalen Neuroprotektionssystem verwenden.

Nicht zum Verkauf in den USA.

I. Produktbezeichnung

Der Markenname des Produkts ist Silk Road Medical **ENROUTE®** transkarotidales Stentsystem.

II. Beschreibung

Das Silk Road Medical **ENROUTE** transkarotidale Stentsystem besteht aus einem selbstexpandierenden Nitinol-Stent, der in einem 1,65 mm- oder 1,98 mm-Implantationssystem vorgeführt ist. Das Implantationssystem besteht hauptsächlich aus einem Innen- und Außenkatheter mit röntgensichtbaren Markern und einem Tuohy-Borst-Ventil. Der Innenkatheter besteht aus einem Stützelement und einem Drahtlumen. Der proximale Teil des Stützelements besteht aus einem Anschluss, der mit einem Edelstahl Draht und einem Hyporöhrchen und distal mit einer Spirale aus Edelstahl verbunden ist. Das Drahtlumen mündet distal in eine Katheterspitze und proximal in den Ausgangsanschluss des Führungsdrahtes, der zur Aufnahme eines 0,36 mm-Führungsdrahtes ausgelegt ist. Der Außenkatheter besitzt einen proximalen Schaft und einen distalen Außenkatheter mit einer nominellen Arbeitslänge von 57 cm. Der selbstexpandierende Stent ist in dem Raum zwischen dem Innen- und dem distalen Außenkatheter komprimiert, der sich zwischen den distalen und proximalen Stentmarkern am Innenkatheter befindet. Der Stent entfaltet sich auf seinen endgültigen Durchmesser, wenn er über den Zugangskatheter im Gefäß abgesetzt wird. Beim Absetzen entfaltet sich der Stent in ein offenes Geflecht und drückt die Lumenoberfläche nach außen, um die Durchgängigkeit des Gefäßes zu wahren. Aufgrund des selbstexpandierenden Verhaltens von Nitinol sind die Stents zur Platzierung in Gefäßen mit einem 1–2 mm kleineren Durchmesser als der endgültige Durchmesser des Stents indiziert. Die Einzelteile des Produkts sind in **Abbildung 1** dargestellt.

III. Anwendungsgebiete

Das Silk Road Medical (SRM) **ENROUTE** transkarotidale Stentsystem in Verbindung mit einem Silk Road Medical (SRM) **ENROUTE** Neuroprotektionssystem wird eingesetzt bei Patienten mit Stenosen der Karotisarterie(n).

IV. Gegenanzeigen

Generell gelten für die Stentplatzierung die gleichen Kontraindikationen wie für die PTA. Kontraindiziert ist die Stentimplantation unter anderem, jedoch nicht ausschließlich:

- bei Patienten mit hochgradig kalzifizierten Läsionen, die mit einer PTA nicht behandelt werden können.
- bei Patienten, deren Zielläsion an eine größere Ansammlung akuter oder subakuter Thromben grenzt.
- bei Patienten mit unkorrigierten Blutgerinnungsstörungen.
- in intrakraniellen Arterien.

V. Warnhinweise

- Das schwarze Punktmuster des grauen Temperatur-Expositionsindikators auf dem Beutel muss deutlich erkennbar sein. Nicht verwenden, wenn der gesamte Kreis vollkommen schwarz ist, da der vorgegebene, endgültige Stentdurchmesser möglicherweise nicht erreicht werden kann.
- Das SRM **ENROUTE** transkarotidale Stentsystem ist nur für den Einmalgebrauch bestimmt. NICHT resterilisieren und/oder wiederverwenden.
- Bei Wiederverwendung dieses Produkts, einschließlich Wiederaufbereitung und/oder Resterilisation, kann die Materialstruktur beschädigt werden, wodurch die erwartete Leistung des Produkts beeinträchtigt werden kann und kritischen Informationen auf dem Etikett und zur Verwendung möglicherweise nicht mehr entsprochen wird, was eine Gefährdung der Patientensicherheit darstellt.
- Nicht verwenden, wenn der Beutel geöffnet oder beschädigt ist.
- Den Stent und das Implantationssystem vor Ablauf des auf der Verpackung aufgedruckten Verfallsdatums („Use By“) verwenden.

- Nicht mit dem Kontrastmittel Ethiodol bzw. Lipiodol (Ethiodol und Lipiodol sind Schutzmarken von Guerbet S.A.) verwenden.
- Das Implantationssystem nicht organischen Lösungsmitteln (z. B. Alkohol) aussetzen.
- Der Gebrauch eines anderen Zugangskatheters als der transzervikalen Arterienfistule des SRM ENROUTE transkarotidalen Neuroprotektionssystems, der kleiner als angegeben ist, kann dazu führen, dass beim Verschieben des Stent-Implantationssystems Luft in den Zugangskatheter gelangt, die bei der Luftaspiration u. U. nicht entfernt wird.
- Nicht am Stent ziehen oder ihn repositionieren.
- Sobald der Stent teilweise entfaltet ist, kann er nicht mehr in das Stent-Implantationssystem zurückgezogen werden.
- Wie bei jedem Gefäßimplantat kann die Sekundärinfektion als Folge der Kontamination durch den Stent zu Thrombose, Pseudoaneurysma oder Ruptur führen.
- Der Stent kann thrombosieren, distal embolisieren oder von der Implantationsstelle in das arterielle Lumen abwandern.
- Eine überdehnte Arterie kann reißen und lebensbedrohende Blutungen auslösen.

Wir raten vom Einsatz des Stents bei Patienten mit den folgenden Merkmalen ab:

- Personen mit Nickel-Titan-(Nitinol)-Allergie, die allergisch auf dieses Implantat reagieren könnten.
- Patienten mit schlechter Nierenfunktion, bei denen nach Einschätzung des Arztes das Risiko einer Reaktion auf Kontrastmittel besteht.
- Schwangeren Patientinnen.
- Patienten mit unkorrigierten Blutgerinnungsstörungen oder Patienten, bei denen eine Antikoagulations- oder Anti-thrombozyten-Therapie nicht durchgeführt werden kann.
- Patienten mit durch Kontrastmittel-Extravasation nachgewiesenen Gefäßperforationen.
- Patienten mit aneurysmatischer Erweiterung unmittelbar proximal oder distal zur Läsion.

VI. Vorsichtsmaßnahmen

- Das Instrument darf nur von Ärzten eingesetzt werden, die in interventionellen Techniken, wie endovaskulären Eingriffen und der Implantation intravaskulärer Stents, geschult sind.
- Das Implantationssystem nicht in Verbindung mit einer Hochdruckinjektion einsetzen. Der Einsatz einer Hochdruckinjektion kann sich negativ auf die Geräteleistung auswirken.
- Im Körper befindliche Katheter nur unter Röntgenkontrolle manipulieren.
- Zur Röntgendarstellung nur hochauflösende Geräte einsetzen.
- Werden mehrere Läsionen behandelt, so wird zuerst die distale, anschließend die proximale Läsion gestentet. Beim Stenten in dieser Reihenfolge muss der proximale Stent zur Platzierung des distalen Stents nicht passiert werden – das Risiko der Dislokation bereits positionierter Stents wird vermindert.
- Das erneute Passieren eines entfalteten Stents mit entsprechenden Hilfsmitteln muss äußerst vorsichtig erfolgen.
- Ist der expandierte Stent thrombosiert, sollte versucht werden, eine Thrombolyse und PTA durchzuführen.
- Im Falle von Komplikationen, wie z. B. Infektion, Pseudoaneurysma oder Fistelbildung, kann das chirurgische Entfernen des Stents erforderlich werden. Hierbei ist die klinikübliche chirurgische Standardmethode angemessen.
- Bei Patienten mit dem Erfordernis der Gabe von Antacida und/oder H₂-Antagonisten vor oder unmittelbar nach der Stentimplantation kann die orale Verabreichung von Antithrombozyten-Mitteln (z. B. Aspirin) kontraindiziert sein.

- Beim Stenten in den Carotiden sollte der venöse Zugang aufrechterhalten werden, um bei Bedarf Bradykardie und/oder Hypotonie entweder pharmazeutisch oder durch das Legen eines temporären Schrittmachers zu behandeln.
- Das SRM **ENROUTE** transkarotidale Stentsystem wird mit dem Tuohy-Borst-Ventil in der Position **OFFEN** geliefert (siehe „Vorbereitung des Stent-Implantationssystems“).
- Vor dem Absetzen des Stents das Katheter-Implantationssystem straffen (siehe „Absetzen des Stents“).
- Darauf achten, dass das Kathetersystem gemäß den Schritten in „Einführen des Stent-Implantationssystems“ und „Vorbereitung des Stent-Implantationssystems“ gespült wird. Andernfalls kann Luft in den Zugangskatheter gelangen.
- **Trocken, dunkel und kühl aufbewahren.**

VII. Potenzielle Komplikationen

Prozeduren mit endovaskulärer Katheter-Einführung dürfen nur von Ärzten durchgeführt werden, die mit den möglichen Komplikationen vertraut sind. Komplikationen können jederzeit während oder nach der Prozedur auftreten.

Zu den möglichen Komplikationen gehören unter anderem, jedoch nicht ausschließlich, die folgenden:

- Tod
- Apnoe
- Notfallmäßige arterielle Bypass-OP
- Hämorrhagischer oder embolischer Schlag/TIA
- Nierenversagen
- Sepsis/Infektion
- Embolie
- Ischämische Herzkrankheit
- Arrhythmie
- Medikamentenreaktion, allergische Reaktion auf Kontrastmittel oder auf das Implantat
- Verletzung der Arterie einschl. Perforation, Ruptur und Dissektion
- Disseminierte intravaskuläre Koagulation
- Neo- oder verschlimmerte Enzephalopathie
- Gastrointestinale Blutung durch Antikoagulations-/Antithrombozyten-Medikation
- Blutung
- Parenchymlutung
- Bildung von Aneurysmen und Pseudoaneurysmen
- Intimarriss/-dissektion
- Stentmigration/-embolisation
- Thrombose
- Bradykardie und Hypotonie
- Arteriovenöse Fistel
- Gewebsnekrose
- Fehlplatzierung des Stents
- Gefäßokklusion, Restenose oder Striktur-Rezidiv
- Hämatom
- Spasmus der A. carotis

VIII. Gebrauchsanweisung

Vor der Prozedur

Zu Anfang sollte dem Patienten 72 Stunden vor Beginn der Prozedur nicht-gepuffertes, magensaftresistentes Aspirin in kliniküblicher Dosierung oder nach Anweisung des Arztes verabreicht werden. 24–48 Stunden vor der Prozedur sollte eine Antithrombozyten-Therapie gemäß Klinikprotokoll durchgeführt werden. Nach dem Stenten in den Carotiden sollte nach Anweisung des Arztes eine Antithrombozyten-Therapie durchgeführt werden.

Die endovaskuläre Platzierung des Stents in einer stenotischen oder obstruierten Carotis-Arterie sollte in einem angiographischen Untersuchungsraum erfolgen. Die Ausdehnung der Läsion(en) und der Kollateralenkreislauf sollten mittels Angiographie beurteilt werden. Die Zugangsgefäße müssen ausreichend durchgängig oder rekanalisiert sein, bevor mit der Intervention fortgefahren wird. Die Vorbereitung des Patienten und das Arbeiten unter sterilen Bedingungen sollten denen eines endovaskulären Eingriffs entsprechen.

1. **Kontrastmittelinjektion**
Standardmäßig ein Angiogramm erstellen.
2. **Identifikation und Kennzeichnung der Läsion**
Unter Röntgenkontrolle die Läsion unter Berücksichtigung des distalsten Anteils der Stenose identifizieren und kennzeichnen.

Wahl und Vorbereitung des Instrumentariums

1. **Wahl der Stent-Größe**
Zur Wahl der entsprechenden Länge des/der Stents die Länge der Zielläsion ausmessen. Den Durchmesser des Referenzgefäßes (proximal und distal zur Läsion) ausmessen. Es ist erforderlich, einen Stent mit einem expandierten Durchmesser zu wählen, der mindestens 1 mm größer als der größte Durchmesser des Referenzgefäßes ist, damit der Stent entsprechend der nachstehenden Tabelle „Wahl der Stentgröße“ sicher platziert werden kann.

Tabelle „Wahl der Stent-Größe“

Durchmesser des Gefäßlumens	Endgültiger Stentdurchmesser	% Verkürzung
3,0 - 4,0 mm	5,0 mm	1,2%
4,0 - 5,0 mm	6,0 mm	2,4%
5,0 - 6,0 mm	7,0 mm	4,1%
6,0 - 7,0 mm	8,0 mm	6,2%
7,0 - 8,0 mm	9,0 mm	5,8%
8,0 - 9,0 mm	10,0 mm	8,0%

Die auf dem Produktetikett angegebene Stentlänge beachten.

Hinweis: Die prozentuale Verkürzung der Stentlänge basiert auf einer mathematischen Berechnung.

2. Vorbereitung des Stent-Implantationssystems

ACHTUNG: Das Stent-Implantationssystem wird mit dem Tuohy-Borst-Ventil in der Position **OFFEN** geliefert. Sorgfältig darauf achten, dass der Stent während der Vorbereitung nicht versehentlich abgesetzt wird. Das System entsprechend den nachstehenden Anweisungen in der Schale vorbereiten. Vor dem Herausnehmen des Instruments aus der Schale das Tuohy-Borst-Ventil schließen.

- a. Die Schachtel öffnen und den Beutel mit dem Stent und dem Implantationssystem herausnehmen.
- b. Den Temperatur-Expositionsindikator auf dem Beutel prüfen, um zu bestätigen, dass das schwarze Punktmuster auf grauem Hintergrund deutlich sichtbar ist. Siehe „Warnhinweise“.

- c. Den Beutel nach sorgfältiger Prüfung auf Beeinträchtigung der Sterilität vorsichtig aufziehen und die Schale herausnehmen. Besteht der Verdacht, dass Sterilität oder Funktion beeinträchtigt sind, darf das Gerät nicht verwendet werden.
- d. Noch während die Vorrichtung in der Schale liegt, einen Absperrhahn an den Y-Anschluss des Tuohy-Borst-Ventils anschließen.
- e. Eine mit heparinierter Kochsalzlösung gefüllte 5-ml-Spritze an den geöffneten Absperrhahn anschließen und mit einem Überdruck beaufschlagen, bis aus dem proximalen Ende des Tuohy-Borst-Ventils Kochsalzlösung austritt. Das Tuohy-Borst-Ventil schließen.
- f. Den Absperrhahn am Y-Anschluss des Tuohy-Borst-Ventils schließen.
- g. Das Stent-Implantationssystem aus der Schale nehmen. Auf Schäden überprüfen. Das distale Katheterende beurteilen, um sicherzustellen, dass sich der Stent im Außenkatheter befindet. Nicht verwenden, wenn der Stent teilweise abgesetzt ist. Besteht zwischen der Spitze des Innen- und des Außenkatheters ein Zwischenraum, das Tuohy-Borst-Ventil öffnen und den Innenkatheter leicht proximal ziehen, bis sich die Lücke geschlossen hat. Nach dieser Korrektur das Tuohy-Borst-Ventil durch Drehen des proximalen Ventilendes im Uhrzeigersinn wieder schließen.

Absetzen des Stents

1. Platzierung des SRM ENROUTE transkarotidalen Neuroprotektionssystems

- a. Mithilfe eines SRM ENROUTE transkarotidalen Neuroprotektionssystems einen Gefäßzugang legen.

HINWEIS: Informationen zum Einsetzverfahren und zum Gebrauch des Systems finden Sie in der Gebrauchsanweisung des ENROUTE transkarotidalen Neuroprotektionssystems.

- b. Das **ENROUTE** transkarotidale Stentsystem ist für den Einsatz eines Führungsdrahts von maximal 0,36 mm Dicke geeignet.

2. Dilatation der Läsion

- a. Falls zweckmäßig, die Läsion in üblicher PTA-Technik vordilatieren.
- b. Den PTA-Ballonkatheter aus dem Körper des Patienten entfernen; dabei den Zugang zur Läsion durch den Führungsdraht aufrechterhalten.

3. Einführen des Stent-Implantationssystems

- a. Das Führungsdrahtlumen des Stent-Implantationssystems mit heparinierter Kochsalzlösung ausspülen; dazu eine mit heparinierter Kochsalzlösung gefüllte 5-ml-Spritze an den Absperrhahn am Y-Anschluss (9) am Tuohy-Borst-Ventil (1) zum Austreiben der Luft anschließen. Darauf achten, dass das Tuohy-Borst-Ventil (1) geschlossen ist, sodass ein versehentliches Absetzen des Stents vermieden wird. Die Spritze mit Überdruck beaufschlagen, bis aus dem Ausgangsanschluss des Führungsdrahtes (16) Kochsalzlösung austritt. Während der Ausgangsanschluss des Führungsdrahtes (16) mit Daumen und Zeigefinger zugehalten wird, die Spritze mit Überdruck beaufschlagen, bis aus der Katheterspitze (4) und dem Raum zwischen dem röntgensichtbaren Marker (11) des Außenkatheters und der Katheterspitze (4) Kochsalzlösung austritt. Weiter spülen, um sicherzustellen, dass alle Luft aus dem System entfernt wird, und dann den Absperrhahn am Y-Anschluss (9) am Tuohy-Borst-Ventil (1) schließen.
- b. Durch Drehen des proximalen Ventilendes im Uhrzeigersinn sicherstellen, dass das Tuohy-Borst-Ventil, das Innen- und Außenkatheter verbindet, geschlossen ist, sodass ein versehentliches Absetzen des Stents vermieden wird.
- c. Das SRM **ENROUTE** transkarotidale Stentsystem über den 0,36 mm-Führungsdraht einführen, bis sich der Ausgangsanschluss des Führungsdrahtes (16) gerade noch außerhalb des Ventils der transkarotidalen Arterien schleuse des ENROUTE transkarotidalen Neuroprotektionssystems befindet. Den Rückfluss durch die Öffnung des Ausgangsanschlusses des Führungsdrahtes (16) visuell bestätigen.
- d. Nach Bestätigung des Rückflusses das SRM ENROUTE transkarotidale Stentsystem zur Läsionsstelle vorschieben.

- e. Entsprechend der Gebrauchsanweisung des ENROUTE transkarotidalen Neuroprotektionssystems Kontrastmittelinjektionen durchführen.

4. Straffen des Systems

- a. Das Stent-Implantationssystem über die Läsionsstelle hinaus vorschieben.
- b. Das Stent-Implantationssystem zurückziehen, bis die röntgensichtbaren Marker auf dem Innenkatheter (vorn und hinten) ihre Position proximal und distal zur Zielläsion eingenommen haben.
- c. Sicherstellen, dass der außerhalb des Patienten befindliche Systemteil des Stent-Implantationssystems flach und gerade bleibt.

ACHTUNG: Ist der Katheterschaft entweder außerhalb des oder im Patienten nicht gestrafft, kann dies dazu führen, dass der Stent hinter der Läsionsstelle abgesetzt wird.

5. Absetzen des Stents

HINWEIS: Kurz bevor der Stent abgesetzt wird, kann Heparin in kliniküblicher Dosierung oder nach Angabe des Arztes verabreicht werden. Heparin kann auch nach dem Absetzen des Stents weiter verabreicht werden, sofern vom Arzt oder dem Klinikprotokoll vorgeschrieben.

- a. Sicherstellen, dass die röntgensichtbaren Marker auf dem Innenkatheter (vorn und hinten) proximal und distal zur Zielläsion positioniert sind.
- b. Das den Innen- und Außenkatheter verbindende Tuohy-Borst-Ventil aufdrehen.
- c. Darauf achten, dass die Schleuse während des Absetzens nicht bewegt wird.
- d. Den Stent durch Zurückziehen des Außenkatheters und Festhalten des Innenkatheters freisetzen. Der Stent ist vollständig abgesetzt, wenn der Marker des Außenkatheters den proximalen Stent-Marker des Innenkatheters passiert hat.

HINWEIS: Der Mechanismus zum Absetzen des Stents basiert auf dem Zurückziehen des Außenkatheters. Durch Festhalten des Innenkatheters und gleichzeitiges Zurückziehen des Außenkatheters wird der Stent abgesetzt und kann expandieren (dies wird häufig als „Pin-und-Pull“-Verfahren bezeichnet).

HINWEIS: Ist zum Abdecken der Läsion mehr als ein Stent erforderlich, so muss der distale Stent zuerst implantiert werden. Stent-Überlappungen sollten wenn möglich auf ein Minimum beschränkt werden. Auf keinen Fall sollten sich jemals mehr als zwei (2) Stents überlappen.

6. Dilatation nach dem Absetzen des Stents

- a. Unter Röntgenkontrolle das gesamte Implantationssystem als Einheit über den Führungsdraht aus dem Körper des Patienten zurückziehen. Das Implantationssystem vom Führungsdraht abziehen.

HINWEIS: Wird beim Zurückziehen des Implantationssystems Widerstand spürbar, den Außenkatheter vorschieben, bis der Marker des Außenkatheters sich auf einer Höhe mit der Katheterspitze befindet, und das gesamte System als Einheit zurückziehen. (Den Führungsdraht nicht entfernen.)

- b. Unter Röntgenkontrolle überprüfen, ob der Stent vollständig entfaltet ist.
- c. Ist der Stent an irgendeiner Stelle in der Läsion nicht vollständig expandiert, kann eine nachträgliche Ballondilatation (mit üblicher PTA-Technik) durchgeführt werden.
- d. Einen PTA-Ballonkatheter von geeigneter Größe wählen und die Läsion mit üblicher Technik dilatieren. Der inflatierte Durchmesser des zur nachträglichen Dilatation verwendeten PTA-Ballons sollte dem Durchmesser des Referenzgefäßes entsprechen. Den PTA-Ballon aus dem Körper des Patienten entfernen.

7. Nach der Stent-Platzierung

- a. Nach Implantation des Stents muss ein Angiogramm erstellt werden.
- b. Das SRM ENROUTE transkarotidale Neuroprotektionssystem entsprechend der Gebrauchsanweisung des SRM ENROUTE transkarotidale Neuroprotektionssystems entfernen und Hämostase herstellen.
- c. Dann das SRM **ENROUTE** Stent-Implantationssystem, den Führungsdraht und das SRM ENROUTE transkarotidale Neuroprotektionssystem entsorgen.

HINWEIS: Das Medikationsschema für den einzelnen Patienten nach dem Verfahren wird dem Ermessen und der Erfahrung des Arztes überlassen.

IX. MRT-Tauglichkeit



In nicht klinischen Tests hat sich der ENROUTE transkarotidale Stent als bedingt MRT-tauglich erwiesen. Ein Patient, bei dem dieser Stent eingesetzt wurde, kann in einem MRT-System, das die folgenden Voraussetzungen erfüllt, sicher untersucht werden:

- Statisches Magnetfeld von 1,5 Tesla oder 3 Tesla
- Maximale magnetische Flussdichte 4000 Gauß/cm (40 Tesla/m)
- Maximale spezifische Absorptionsrate (SAR) (Durchschnitt für den ganzen Körper) der MRT-Anlage von 2 W/kg (normaler Betriebsmodus)

Unter den oben definierten Bedingungen für die MRT-Aufnahme bewirkt der ENROUTE transkarotidale Stent bei einer ununterbrochenen Verfahrensdauer von 15 Minuten voraussichtlich einen Temperaturanstieg von 2,4 °C.

In nicht klinischen Tests, in denen MRT-Aufnahmen mittels einer Gradienten-Echoimpulssequenz und einer 3-Tesla-MRT-Anlage angefertigt wurden, erstreckte sich das Aufnahmenartefakt ca. 5 mm über den ENROUTE transkarotidalen Stent hinaus. Das Artefakt verdeckt das Lumen des Stentsystems.

X. Lieferform

Das SRM **ENROUTE** transkarotidale Stentsystem wird steril (sterilisiert mit Ethylenoxid-Gas) geliefert und ist NUR FÜR DEN EINMALGEBRAUCH bestimmt.

HAFTUNGSAUSSCHLUSS UND BESCHRÄNKUNG DER RECHTSMITTEL

SILK ROAD MEDICAL, INC. BIETET KEINE AUSDRÜCKLICHEN ODER STILLSCHWEIGENDEN ZUSICHERUNGEN ODER GEWÄHRLEISTUNGEN FÜR SEINE PRODUKTE, INSBESONDERE KEINE STILLSCHWEIGENDE GEWÄHRLEISTUNG DER MARKTGÄNGIGKEIT ODER EIGNUNG FÜR EINEN BESTIMMTEN ZWECK. VORBEHALTLICH AUSDRÜCKLICHER BESTIMMUNGEN BESTIMMTER GESETZE HAFTET SILK ROAD MEDICAL UNTER KEINEN UMSTÄNDEN FÜR DIREKTE, BEILÄUFIGE ODER FOLGESCHÄDEN. MIT AUSNAHME DER SPEZIFISCHEN BESTIMMUNGEN IN DIESEM DOKUMENT IST NIEMAND BERECHTIGT, SILK ROAD MEDICAL AN GEGENTEILIG LAUTENDE ZUSICHERUNGEN ODER GEWÄHRLEISTUNGEN ZU BINDEN.

Beschreibungen oder Angaben in Drucksachen von Silk Road Medical, einschließlich dieser Gebrauchsanweisung, dienen ausschließlich als allgemeine Produktbeschreibung(en) zum Zeitpunkt der Herstellung und stellen keine ausdrückliche oder stillschweigende Zusicherung oder Gewährleistung, insbesondere der stillschweigenden Zusicherung der Marktgängigkeit oder Eignung für einen bestimmten Zweck eines Produkts dar.

Alle Produkte von Silk Road Medical sind nur für den Einmalgebrauch bestimmt. Keines der Produkte darf für irgendeinen Zweck wiederverwendet oder erneut sterilisiert werden. Keines der Produkte wurde für den Mehrfachgebrauch zugelassen. Silk Road Medical haftet nicht für Schäden, insbesondere einschließlich direkter, beiläufiger oder Folgeschäden, die aus der Wiederverwendung oder erneuten Sterilisation seiner Produkte entstehen.

Modo de empleo – Sistema de stent transcarotídeo ENROUTE® de Silk Road Medical

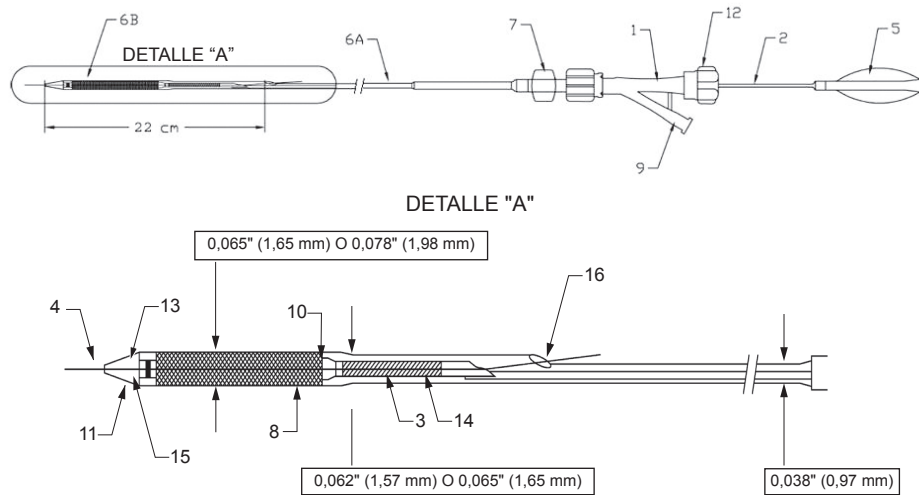


Figura 1. SISTEMA DE STENT TRANSCAROTÍDEO ENROUTE

- | | |
|---|---|
| 1. Válvula Tuohy Borst | 9. Conexión en Y Tuohy Borst |
| 2. Hipotubo | 10. El marcador del eje interior proximal (parada) marca el extremo trasero del stent |
| 3. Bobina | 11. Marcador radiopaco de la vaina exterior |
| 4. Punta del eje interior del catéter | 12. Extremo de la válvula proximal |
| 5. Cubo del eje interior | 13. Marcador del stent del eje interno distal |
| 6A. Eje proximal | 14. Funda de la bobina |
| 6B. Vaina exterior distal | 15. Cavidad del cable |
| 7. Cubo Luer de la vaina exterior | 16. Puerto de salida del cable guía |
| 8. Stent rizado del alojamiento de la vaina | |

ESTÉRIL. Esterilizado con gas de óxido de etileno. Apirógeno. Radiopaco. Solo para un único uso. No volver a esterilizar. Almacenar en un lugar oscuro, fresco y seco.

Utilizar solamente con el Sistema de neuroprotección transcarotídeo ENROUTE de Silk Road Medical.

No destinado a la venta en los Estados Unidos.

I. Nombre del dispositivo

El nombre comercial del dispositivo es Sistema de stent transcarotídeo **ENROUTE**® de Silk Road Medical.

II. Descripción

El Sistema de stent transcarotídeo **ENROUTE** de Silk Road Medical consta de un stent de nitinol autoexpandible precargado en un sistema de liberación formado por vainas de 0,065 pulgadas (1,65 mm) o de 0,078 pulgadas (1,98 mm). El sistema de liberación consta principalmente de un eje interno y una vaina externa con marcadores radiopacos y una válvula Tuohy Borst. El eje interno consta de un miembro de apoyo y una abertura de cable. La porción proximal del miembro de apoyo se compone de un cubo conectado a una guía de acero inoxidable y un hipotubo, y en el extremo distal de una bobina de acero inoxidable. La abertura del cable se origina en el extremo distal en la punta del catéter y finaliza en el extremo proximal en el puerto de salida del cable guía diseñado para aceptar un cable guía de 0,014 pulgadas (0,36 mm). La vaina externa posee un eje proximal y una vaina externa distal con una longitud nominal de trabajo de 57 cm. El stent autoexpandible está comprimido en el espacio existente entre el eje interno y la vaina externa distal, ubicado entre los marcadores distal y proximal del stent en el eje interno. El stent se expande hasta su diámetro sin comprimir cuando se libera del catéter de despliegue dentro del vaso. Tras el despliegue, el stent forma una malla que ejerce presión hacia afuera de la superficie luminal, ayudando a mantener la permeabilidad del vaso. Debido al comportamiento autoexpandible del nitinol, los stent son adecuados para su colocación en vasos que posean un diámetro de entre 1 y 2 mm menor que el diámetro no comprimido del stent. En la **Figura 1** aparecen representaciones del dispositivo y de sus componentes.

III. Instrucciones de uso

El Sistema de stent transcarotídeo **ENROUTE** de Silk Road Medical (SRM), usado conjuntamente con el Sistema de protección transcarotídea ENROUTE de Silk Road Medical (SRM) es adecuado para ser usado en pacientes con lesiones estenóticas de la(s) arteria(s) carótida(s).

IV. Contraindicaciones

Por lo general, las contraindicaciones para la ATP son también contraindicaciones para la colocación de un stent. Las contraindicaciones incluyen, pero pueden no limitarse a:

- Pacientes con lesiones altamente calcificadas resistentes a la ATP.
- Pacientes con una lesión objetivo con un gran volumen de trombos adyacentes agudos o subagudos.
- Pacientes con desórdenes hemorrágicos no corregidos.
- Stent de arterias intra-craneales.

V. Advertencias

- El dibujo de puntos negros ubicado en el indicador de exposición de temperatura gris, que se halla en la bolsa, debe ser claramente visible. No lo utilice si todo el círculo es completamente negro, ya que el diámetro del stent no comprimido puede haber sido comprometido.
- El Sistema de stent transcarotídeo **ENROUTE** de SRM está pensado para un solo uso. NO volver a esterilizar ni reutilizar el dispositivo.
- La reutilización de este producto, incluyendo tras un reprocesamiento y/o reesterilización, puede causar una pérdida de integridad estructural, lo que podría provocar un fallo del funcionamiento del dispositivo y producir una pérdida de información de etiquetado/uso crítica, todo lo cual presenta riesgos potenciales para la seguridad del paciente.
- No utilizar si la bolsa está abierta o está dañada.
- Utilizar el stent y el sistema de liberación antes de la fecha de "Uso preferente" especificada en el paquete.
- No utilizar con medios de contraste Ethiodol ni Lipiodol (Ethiodol y Lipiodol son marcas comerciales de Guerbet S. A.).
- No exponer el sistema de liberación a disolventes orgánicos (p. ej., alcohol).

- El uso de un dispositivo accesorio más pequeño de lo indicado o distinto de la vaina arterial transcarotídea del sistema de neuroprotección transcarotídea ENROUTE de SRM puede causar la entrada de aire en dicho dispositivo al hacer avanzar el sistema de liberación del stent, que no podría ser retirado durante la aspiración del aire.
- El stent no está diseñado para arrastrarlo ni para colocarlo de nuevo.
- Una vez que el stent esté parcialmente desplegado, no se puede volver a capturar usando el sistema de liberación del stent.
- Como con cualquier tipo de implante vascular, una infección resultante de la contaminación del stent puede provocar trombosis, seudoaneurisma o ruptura.
- El stent puede provocar trombos, embolización distal, o puede migrar desde el sitio del implante descendiendo por la cavidad arterial.
- Un estiramiento excesivo de la arteria puede causar la ruptura y una hemorragia peligrosa para la vida.

No se recomienda usar el stent en pacientes con las siguientes características:

- Las personas que presenten reacciones alérgicas al nitinol (níquel-titanio), que podrían sufrir una respuesta alérgica a este implante.
- Los pacientes con función renal disminuida que, a juicio del médico, pueden correr riesgos de sufrir una reacción ante el medio de contraste.
- Las pacientes embarazadas.
- Los pacientes con desórdenes hemorrágicos o pacientes que no pueden recibir terapia anticoagulante ni de agregación antiplaquetaria.
- Los pacientes con vasos perforados, evidentes por la extravasación del medio de contraste.
- Los pacientes con dilatación aneurísmica inmediatamente proximal o distal a la lesión.

VI. Precauciones

- El dispositivo está pensado para ser usado por médicos que hayan recibido formación adecuada en técnicas quirúrgicas tales como procedimientos endovasculares y colocación de stents intravasculares.
- El sistema de liberación no está diseñado para el uso de inyección mecánica. El uso de inyección mecánica puede afectar de modo adverso al rendimiento del dispositivo.
- Cuando los catéteres están dentro del cuerpo, deben ser manipulados solamente bajo fluoroscopia.
- Es preciso el uso de equipo radiográfico que proporcione imágenes de alta calidad.
- En el tratamiento de lesiones múltiples, hay que colocar el stent primero en la lesión distal, seguido de la colocación del stent en la lesión proximal. Al colocar los stents en este orden se obvia la necesidad de cruzar el stent proximal para colocar el stent distal y se reduce la posibilidad de desprender los stents que ya se hubieran colocado.
- De ser preciso volver a cruzar un stent ya desplegado con dispositivos adjuntos hay que realizarlo con mucha precaución.
- En caso de trombosis del stent ya expandido, hay que intentar realizar trombólisis y ATP.
- En caso de complicaciones tales como infección, seudoaneurisma o fistulización puede ser preciso retirar el stent mediante una intervención quirúrgica. Sería adecuado realizar el procedimiento quirúrgico estándar.
- En pacientes que necesiten usar antiácidos y/o antagonistas-H2 antes o inmediatamente después de la colocación del stent, puede que la absorción oral de agentes antiplaquetarios (p. ej., aspirina) se vea afectada de modo adverso.
- El acceso venoso debe estar disponible durante la colocación del stent carotídeo para poder reaccionar ante bradicardias y/o hipotensión bien sea mediante intervención farmacéutica o mediante la colocación de un marcapasos temporal, si es preciso.

- El Sistema de stent transcarotídeo **ENROUTE** de SRM se envía con la válvula Tuohy Borst en la posición **OPEN (abierto)** (consulte "Preparación del sistema de liberación del stent").
- Antes de desplegar el stent, retire todas las partes flojas del sistema de liberación del catéter (consulte "Despliegue del stent").
- Comprobar que el sistema del catéter está enjuagado según los pasos indicados en "Introducción del sistema de liberación del stent" y "Preparación del sistema de liberación del stent". De no hacerlo así podría producirse la entrada de aire en el catéter de acceso.
- **Almacenar en un lugar oscuro, fresco y seco.**

VII. Complicaciones potenciales

Los procedimientos que requieren la introducción endovascular del catéter no deberán ser realizados por médicos no familiarizados con las posibles complicaciones. Las complicaciones pueden producirse en cualquier momento durante el procedimiento o después del mismo.

Las complicaciones potenciales pueden incluir, pero no se limitan a:

- La muerte
- Paro respiratorio
- Cirugía de revascularización de urgencia
- Accidente cerebrovascular hemorrágico o embólico/AIT
- Fallo renal
- Sepsis/infección
- Embolismo
- Isquemia coronaria
- Arritmia
- Reacciones a causa de los fármacos, reacciones alérgicas al medio de contraste o al dispositivo implantado
- Lesión vascular, incluyendo perforación, ruptura y disección
- Coagulación intravascular diseminada
- Nueva encefalopatía o agravamiento de la existente
- Hemorragia gastrointestinal producida por la medicación anticoagulante/antiplaquetaria
- Hemorragias
- Hemorragia parenquimal
- Formación de aneurisma y pseudoaneurisma
- Disección o ruptura intimal
- Migración o embolización del stent
- Trombosis
- Bradicardia e hipotensión
- Fístula arteriovenosa
- Necrosis del tejido
- Colocación errónea del stent
- Oclusión, re-estenosis o constricción recurrente del vaso
- Hematoma
- Espasmo de la arteria carótida

VIII. Indicaciones de uso

Pasos previos al procedimiento

Debe iniciarse la administración al paciente de aspirina no recubierta, no tamponada, 72 horas antes del procedimiento según las directrices estándar de dosificación del hospital o según lo prescrito por un médico. Entre las 24 y 48 horas previas al procedimiento hay que administrar terapia antiplaquetaria de acuerdo con el protocolo del hospital. Hay que administrar terapia antiplaquetaria posterior a un procedimiento de stent carotídeo según las instrucciones del médico.

La colocación endovascular del stent en una arteria carótida estenosada debe realizarse en una sala para procedimientos angiográficos. Debe realizarse una angiografía para determinar la extensión y ubicación de la(s) lesión(es) y el flujo colateral. El acceso a los vasos debe ser lo suficientemente patente o lo suficientemente recanalizado para continuar con la intervención. La preparación del paciente y las precauciones de esterilización deben ser idénticos a los de cualquier procedimiento endovascular.

1. Inyección de medio de contraste

Realizar un angiograma usando la técnica estándar.

2. Identificación y marcado de la lesión

Identificar y marcar la lesión mediante fluoroscopia, observando el nivel más distal de la estenosis.

Selección y preparación del dispositivo

1. Selección del tamaño del stent

Mida la longitud de la lesión objetivo para determinar la longitud del stent (o stents) requeridos. Mida el diámetro del vaso de referencia (proximal y distal a la lesión). Es necesario seleccionar un stent que tenga un diámetro no comprimido que sea al menos de 1 mm mayor que el mayor diámetro del vaso de referencia para conseguir una colocación segura de acuerdo con la siguiente Tabla de selección de tamaño de stent.

Tabla de selección de tamaño de stent

Diámetro de la cavidad del vaso	Diámetro del stent sin comprimir	% de acortamiento de longitud
3,0 – 4,0 mm	5,0 mm	1,2 %
4,0 – 5,0 mm	6,0 mm	2,4 %
5,0 – 6,0 mm	7,0 mm	4,1 %
6,0 – 7,0 mm	8,0 mm	6,2 %
7,0 – 8,0 mm	9,0 mm	5,8 %
8,0 – 9,0 mm	10,0 mm	8,0 %

Consulte la etiqueta del producto para ver la longitud del stent.

Nota: El porcentaje de acortamiento de la longitud del stent se basa en cálculos matemáticos.

2. Preparación del sistema de liberación de stent

PRECAUCIÓN: El sistema de liberación de stent se envía con la válvula Tuohy Borst **ABIERTA**. Tenga cuidado para no desplegar el stent prematuramente durante la preparación. Preparar el dispositivo en la bandeja según las siguientes instrucciones. Cerrar la válvula Tuohy Borst antes de retirar el dispositivo de la bandeja.

- a. Abrir la caja externa para descubrir la bolsa que contiene el stent y el sistema de liberación.
- b. Comprobar el indicador de exposición de temperatura de la bolsa para confirmar que el patrón de puntos negros con fondo gris sea claramente visible. Consultar la sección de Advertencias.

- c. Tras una cuidadosa inspección de la bolsa en busca de daños en la barrera estéril, despegue con cuidado la bolsa y retire la bandeja. Si se sospecha que la esterilidad o el rendimiento del dispositivo han sido comprometidos, no se debe usar el dispositivo.
- d. Mientras está en la bandeja, sujetar una llave de paso a la conexión en Y de la válvula Tuohy Borst.
- e. Conectar una jeringa de 5 cc llena de solución salina heparinizada a la llave de paso abierta y aplicar presión positiva hasta que la solución salina fluya por el extremo proximal de la válvula Tuohy Borst. Cerrar la válvula Tuohy Borst.
- f. Cerrar la llave de paso sujeta a la conexión en Y de la válvula Tuohy Borst.
- g. Extraer el sistema de liberación del stent de la bandeja. Examinar el dispositivo en busca de algún daño. Examinar el extremo distal del catéter para comprobar que el stent está contenido dentro de la vaina externa. No utilizar si el stent está parcialmente desplegado. Si hay un hueco entre el extremo del catéter y el de la vaina externa, abra la válvula Tuohy Borst y tire del eje interno con cuidado en dirección proximal hasta cerrar el hueco. Cerrar la válvula Tuohy Borst tras el ajuste rotando el extremo proximal de la válvula en el sentido de las agujas del reloj.

Procedimiento de despliegue del stent

1. Colocación del sistema de neuroprotección transcarotídea ENROUTE de SRM.

- a. Acceder al lugar del tratamiento usando un Sistema de neuroprotección transcarotídea ENROUTE de SRM.

NOTA: Consulte el Manual de empleo del Sistema de protección transcarotídea ENROUTE para ver el procedimiento de colocación y el uso del dispositivo.

- b. El Sistema de stent transcarotídeo **ENROUTE** es compatible con cables guía de 0,014 pulgadas (0,36 mm) o menores.

2. Dilatación de la lesión

- a. Si procede, realice una dilatación previa de la lesión usando técnicas ATP estándar.
- b. Retire el catéter del balón ATP del paciente manteniendo acceso a la lesión con el cable guía.

3. Introducción del sistema de liberación de stent

- a. Enjuague la cavidad del cable guía del sistema de liberación de stent con solución salina heparinizada conectando una jeringa de 5 cc llena de solución salina heparinizada a la llave de paso unida a la conexión en Y (9) de la válvula Tuohy Borst (1) para expulsar el aire. Compruebe que la válvula Tuohy Borst (1) está en posición cerrada para evitar un despliegue prematuro del stent. Aplique presión positiva a la jeringa hasta que la solución salina salga del puerto de salida del cable guía (16). Al tiempo que cubre el puerto de salida del cable guía (16) con los dedos pulgar e índice, aplique presión positiva a la jeringa hasta que la solución salina brote de la punta del catéter (4) y del espacio entre el marcador radiopaco de la vaina externa (11) y la punta del catéter (4). Continúe enjuagando para garantizar que se expulsa todo el aire del sistema, y luego cierre la llave de paso unida a la conexión en Y (9) de la válvula Tuohy Borst (1).
- b. Compruebe que la válvula Tuohy Borst que conecta el eje interno y la vaina externa está cerrada rotando el extremo proximal de la válvula en el sentido de las agujas del reloj para evitar un despliegue prematuro del stent.
- c. Haga avanzar el sistema de stent transcarotídeo **ENROUTE** de SRM por el cable guía de 0,014 pulgadas (0,36 mm) hasta que el puerto de salida del cable guía (16) esté justo fuera de la válvula de la vaina arterial transcarotídea del sistema de neuroprotección transcarotídea ENROUTE. Busque y confirme que existe reflujo por la abertura del puerto de salida del cable guía (16).
- d. Tras confirmar el reflujo, haga avanzar el Sistema de stent transcarotídeo ENROUTE de SRM hasta el lugar de la lesión.
- e. Realice inyecciones de contraste según el modo de empleo del Sistema de neuroprotección transcarotídea ENROUTE.

4. Eliminación de holguras

- a. Haga avanzar el sistema de liberación de stent más allá del lugar de la lesión.
- b. Tire del sistema de liberación de stent hasta que los marcadores radiopacos de la vaina interna (los extremos delantero y trasero) se coloquen en posición tal que sean proximal y distal a la lesión objetivo.
- c. Compruebe que el sistema de liberación de stent que está fuera del cuerpo del paciente está plano y recto.

PRECAUCIÓN: Una holgura en el eje del catéter, ya sea fuera o dentro del paciente, podría dar lugar al despliegue del stent más allá del lugar de la lesión.

5. Despliegue del stent

NOTA: Cuando esté listo para proceder al despliegue del stent, hay que administrar heparina de acuerdo con la práctica estándar del hospital o según la prescripción de un médico. La administración de heparina podrá continuar tras el despliegue del stent si así lo indica un médico o el protocolo del hospital.

- a. Verifique que los marcadores radiopacos de la vaina interna (los extremos delantero y trasero) se hallan en posición proximal y distal a la lesión objetivo.
- b. Desbloquee la válvula Tuohy Borst que conecta el eje interno y la vaina externa del sistema de liberación.
- c. Compruebe que la vaina de acceso no se mueve durante el despliegue.
- d. Inicie el despliegue del stent retrayendo la vaina externa al tiempo que sostiene el eje interno en una posición fija. El despliegue está completo cuando el marcador de la vaina externa sobrepasa el marcador del eje interno del stent.

NOTA: El método de despliegue del stent es la retracción de la vaina externa. El despliegue se completa manteniendo la posición del eje interno al tiempo que se retrae la vaina externa y se permite que el stent se expanda (este método suele conocerse como "fijar y tirar").

NOTA: Cuando se requiera más de un stent para cubrir la lesión, el stent más distal se debe colocar primero. Hay que evitar en la medida de lo posible la superposición de los stents. En ningún caso se debe permitir que se superpongan más de dos (2) stents.

6. Dilatación del stent tras el despliegue

- a. Mientras usa fluoroscopia, retire todo el sistema de liberación como si fuera una sola unidad sobre el cable guía y fuera del cuerpo. Retire el dispositivo de liberación del cable guía.

NOTA: Si encuentra alguna resistencia durante la retirada del sistema de liberación, haga avanzar la vaina externa hasta que el marcador de la vaina externa toque la punta del catéter y retire el sistema como si fuera una sola unidad. (No retire el cable guía).

- b. Usando fluoroscopia, visualice el stent para verificar su total despliegue.
- c. Si se ha producido una expansión parcial del stent en cualquier punto de la lesión, se puede realizar una dilatación de balón posterior al despliegue (con técnica ATP estándar).
- d. Seleccione un catéter de balón de tamaño adecuado y dilate la lesión mediante la técnica convencional. El diámetro de inflado del catéter de balón ATP usado para la dilatación posterior debe aproximarse al diámetro del vaso de referencia. Retire el catéter de balón ATP del paciente.

7. Después de la colocación del stent

- a. Debe obtenerse un angiograma posterior a la colocación del stent.
- b. Retire el sistema de neuroprotección transcarotídea ENROUTE de SRM según lo expuesto en el modo de empleo del sistema de neuroprotección transcarotídea ENROUTE de SRM y establezca la hemostasis.
- c. Deseche el sistema de stent transcarotídeo **ENROUTE** de SRM, el cable guía, y el sistema de neuroprotección transcarotídea ENROUTE de SRM.

NOTA: La experiencia y la discreción del cirujano son claves para determinar el régimen farmacológico posterior adecuado para el procedimiento para cada paciente.

IX. Compatibilidad con RM



Mediante pruebas no clínicas se ha demostrado que el stent transcarotídeo ENROUTE es compatible con las resonancias siempre que se cumplan algunas condiciones. Un paciente con este dispositivo puede ser sometido a una resonancia magnética con seguridad siempre que se cumplan las siguientes condiciones:

- Campo magnético estático de 1,5 tesla o 3 tesla solamente
- Campo magnético de gradiente espacial máximo de 4.000 gauss/cm (40 tesla/m) o menos
- Resonancia magnética máxima informada, con tasa de absorción específica media para todo el cuerpo (SAR) de 2 W/kg (Modo de funcionamiento normal)

Bajo las anteriores condiciones, el stent transcarotídeo ENROUTE debería producir una subida máxima de temperatura de 2,4°C tras 15 minutos de escaneado continuo.

En pruebas no clínicas, los artefactos de imagen causados por el dispositivo se extienden aproximadamente a 5 mm a partir del stent transcarotídeo ENROUTE cuando se realiza una secuencia gradiente de pulsos de eco y una resonancia magnética de 3 Tesla. El artefacto oscurece la cavidad del dispositivo.

X. Cómo se suministra

El sistema de stent transcarotídeo **ENROUTE** de SRM se suministra esterilizado (mediante gas de óxido de etileno) y está pensado PARA UN SOLO USO.

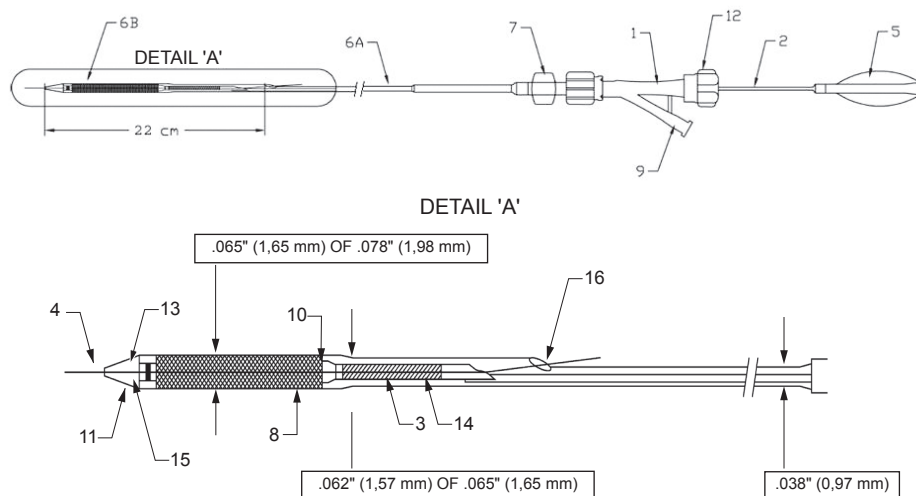
EXCLUSIÓN DE GARANTÍAS Y LIMITACIÓN DE RECURSO

SILK ROAD MEDICAL, INC. NO PROPORCIONA DECLARACIÓN O GARANTÍA NI EXPLÍCITA NI IMPLÍCITA PARA CUALQUIERA DE SUS PRODUCTOS, INCLUYENDO PERO SIN LIMITARSE A CUALQUIER GARANTÍA DE COMERCIALIZACIÓN O IDONEIDAD PARA UN PROPÓSITO EN PARTICULAR. BAJO NINGUNA CIRCUNSTANCIA SILK ROAD MEDICAL SERÁ RESPONSABLE DE NINGÚN DAÑO DIRECTO, FORTUITO O CONSECUENTE, APARTE DE LOS PREVISTOS EXPRESAMENTE EN LAS LEYES ESPECÍFICAS. NINGUNA PERSONA TIENE AUTORIDAD PARA OBLIGAR A SILK ROAD MEDICAL A NINGUNA DECLARACIÓN O GARANTÍA DE LO CONTRARIO, EXCEPTO EN LO ESPECÍFICAMENTE ESTABLECIDO EN LA PRESENTE.

Las descripciones o especificaciones impresas de Silk Road Medical, incluyendo este Manual de empleo, se proporcionan exclusivamente como descripción general del producto o los productos en el momento de su fabricación y no constituyen ninguna declaración ni garantía explícita ni implícita para ningún producto, incluyendo, pero sin limitarse a ello, cualquier garantía implícita, comercialización o idoneidad para cualquier propósito.

Todos los productos de Silk Road Medical están diseñados para un solo uso. Ninguno de los mismos debe ser reutilizado ni vuelto a esterilizar para ningún propósito, y ningún producto ha sido validado para múltiples usos. Silk Road Medical no será responsable de ningún daño, incluyendo pero sin limitación directa, daños fortuitos o consecuencia de la reutilización o reesterilización de sus productos.

Gebruiksaanwijzingen Silk Road Medical ENROUTE® Stentsysteem voor toegang tot de halsslagader



Figuur 1. ENROUTE STENTSISTEEM VOOR TOEGANG TOT DE HALSSLAGADER

- | | |
|---|---|
| 1. Tuohy-Borstklep | 9. Y-vormig aanzetstuk van de Tuohy-Borstklep |
| 2. Hypotube | 10. Proximale marker (stop) van de binnenschacht geeft het achterste einde van de stent aan |
| 3. Spoel | 11. Radiopake marker van de buitenschacht |
| 4. Kathetertip binnenschacht | 12. Proximale klepeind |
| 5. Doorvoerstuk binnenschacht | 13. Distale stentmarker van de binnenschacht |
| 6A. Proximale schacht | 14. Spoelhuls |
| 6B. Distale buitenschacht | 15. Voerdraatlumen |
| 7. Luer-lockaansluiting buitenschacht | 16. Voerdraaduitgangspoort |
| 8. Omhulselbehuizing van geplooid stent | |

STERIEL. Met ethyleenoxidegas gesteriliseerd. Pyrogeenvrij. Radiopaak. Uitsluitend voor éénmalig gebruik. Niet opnieuw steriliseren. Koel, donker en droog bewaren.

Uitsluitend voor gebruik met Silk Road Medical ENROUTE neuro-beschermingssysteem voor toegang tot de halsslagader.

Niet voor verkoop in de VS.

I. Naam van het hulpmiddel

De merknaam van het hulpmiddel is Silk Road Medical **ENROUTE**® stentsysteem voor toegang tot de halsslagader.

II. Beschrijving

Het Silk Road Medical **ENROUTE** Stentsysteem voor toegang tot de halsslagader bestaat uit een zelfexpanderende nitinolstent voorgeladen op een plaatsingssysteem met een schacht van 1,65 mm of 1,98 mm. Het plaatsingssysteem bestaat uit een binnen- en een buitenschacht met radiopake markers en een Tuohy-Borstklep. De binnenschacht heeft een steunelement en een voerdraadlumen. Het proximale deel van het steunelement bestaat uit een doorvoerstuk dat verbonden is met een roestvrijstalen draad en hypotube en het distale deel bestaat uit een roestvrijstalen spoel. Het draadlumen begint distaal bij een kathetertip en eindigt proximaal bij de voerdraaduitgangspoort voor een voerdraad van 0,36 mm. De buitenschacht heeft een proximale schacht en distale buitenschacht met een nominale werk lengte van 57 cm. De zelfexpanderende stent zit gevat in de tussenruimte tussen de binnenschacht en de distale buitenhuls, tussen de distale en proximale stentmarkeringen op de binnenschacht. De stent expandeert naar zijn vrije diameter wanneer hij vrijkomt uit de plaatsingskatheter in het bloedvat. De stent vormt bij plaatsing een raster en drukt naar buiten op de oppervlakte van het lumen, waardoor de doorgankelijkheid van het bloedvat behouden blijft. Door het zelfexpanderende gedrag van nitinol, zijn de stents geïndiceerd voor plaatsing in vaten die 1-2 mm kleiner in diameter zijn dan de vrije diameter van de stent. De onderdelen en afbeeldingen van het product worden getoond in **Figuur 1**.

III. Gebruiksindicaties

Het Silk Road Medical (SRM) **ENROUTE** Stentsysteem voor toegang tot de halsslagader is bij gebruik in combinatie met een Silk Road Medical (SRM) **ENROUTE** neuro-beschermingssysteem voor toegang tot de halsslagader geïndiceerd voor toepassing bij patiënten met stenotische laesies in de a. carotide(s).

IV. Contra-indicaties

In het algemeen gelden contra-indicaties voor percutane transluminale angioplastiek (PTA) tevens voor stentplaatsing. Deze contra-indicaties omvatten, maar zijn niet noodzakelijkerwijs beperkt tot:

- Patiënten met sterk verkalkte laesies die weerstand bieden tegen PTA.
- Patiënten met een te behandelen laesie met een grote mate van aangrenzende acute of subacute trombus.
- Patiënten met onbehandelde bloedingstoornissen.
- Stenten van intracraniale arteriën.

V. Waarschuwingen

- Het zwarte stippeltjespatroon op de grijze temperatuurbloot-stellingsindicator op de verpakking dient duidelijk zichtbaar te zijn. Niet gebruiken indien de hele cirkel helemaal zwart is, aangezien dit kan betekenen dat de stent niet helemaal kan expanderen.
- Het SRM **ENROUTE** Stentsysteem voor toegang tot de halsslagader is uitsluitend bestemd voor eenmalig gebruik. Het hulpmiddel NIET opnieuw steriliseren en/of hergebruiken.
- Hergebruik van dit product, inclusief na herverwerking en/of hersterilisatie, kan de structurele integriteit van het hulpmiddel aantasten, wat kan leiden tot het niet langer naar behoren werken van het hulpmiddel en tot verlies van belangrijke etikettering/gebruiks informatie, wat mogelijke risico's voor de veiligheid van de patiënt tot gevolg kan hebben.
- Niet gebruiken indien de steriele verpakking beschadigd of reeds geopend is.
- Gebruik de stent en het plaatsingssysteem vóór het verstrijken van de uiterste gebruiksdatum op de verpakking.
- Niet gebruiken met Ethiodol of Lipiodol (Ethiodol of Lipiodol zijn handelsmerken van Geurbet S.A.) contrastmiddel.
- Het plaatsingssysteem niet blootstellen aan organische oplosmiddelen (bijv. alcohol).

- Gebruik van een accessoire-instrument dat kleiner is dan de arteriële huls van een SRM ENROUTE neuro-beschermingssysteem voor toegang tot de halsslagader kan ertoe leiden dat er lucht binnendringt in dat instrument wanneer het stentplaatsingssysteem wordt opgevoerd.
- De stent is niet bestemd om te worden verschoven of verplaatst.
- Nadat de stent gedeeltelijk is geëxpandeerd, kan hij niet meer worden teruggehaald met het stentplaatsingssysteem.
- Zoals bij alle typen vasculaire implantaten kan infectie, als gevolg van stentverontreiniging, trombose, pseudoaneurysma en doorbraak veroorzaken.
- De stent kan een trombus of distale embolisatie veroorzaken of kan zich vanaf de implantatieplaats door het arteriële lumen heen verplaatsen.
- Te ver oprekken van de arterie kan scheuren en levensgevaarlijke bloeding veroorzaken.

Implantatie van de stent wordt afgeraden voor de volgende patiënten:

- Bij personen die allergisch zijn voor nikkel-titaan (Nitinol) kan zich een allergische reactie op dit implantaat voordoen.
- Patiënten met een verminderde nierfunctie bij wie volgens de arts een kans bestaat op een reactie op het contrastmiddel.
- Zwangere patiënten.
- Patiënten met stollingsstoornissen of patiënten die geen therapie met anticoagulantia of trombocytenaggregatieremmers kunnen ontvangen.
- Patiënten met geperforeerde vaten herkenbaar aan extravasatie van contrastmiddel.
- Patiënten met aneurysmadilatatie direct proximaal of distaal van de laesie.

VI. Voorzorgsmaatregelen

- Dit hulpmiddel is bestemd voor gebruik door artsen die zijn opgeleid in interventietechnieken zoals endovasculaire ingrepen en plaatsing van intravasculaire stents.
- Het plaatsingssysteem is niet bestemd voor automatische injectie. Het gebruik van automatische injectie kan de prestaties van het hulpmiddel negatief beïnvloeden.
- In het lichaam geplaatste katheters mogen alleen onder doorlichting worden gemanipuleerd.
- Er dient gebruik te worden gemaakt van radiologische apparatuur die beelden van uitstekende kwaliteit levert.
- Bij behandeling van meerdere laesies dient de distale laesie als eerste te worden gestent, gevolgd door stents van de proximale laesie. Wanneer de stents in deze volgorde worden geplaatst, is het niet nodig om de proximale stent te passeren bij het plaatsen van de distale stent, zodat het risico van losraken van de eerder geplaatste stents wordt verminderd.
- Nogmaals passeren van een geëxpandeerde stent met de bijbehorende medische hulpmiddelen dient met grote voorzichtigheid te geschieden.
- Indien zich trombose voordoet in de geëxpandeerde stent, dient een poging tot trombolysie en PTA te worden ondernomen.
- In het geval van complicaties zoals infectie, pseudoaneurysma of fistelvorming kan operatief verwijderen van de stent noodzakelijk zijn. Gebruik van standaard operatieve technieken is hierbij gewenst.
- Bij patiënten die gebruik van antacida en/of H2-antihistaminica vereisen vóór of onmiddellijk na stentplaatsing kan de orale absorptie van trombocytenaggregatieremmers (bijv. aspirine) negatief worden beïnvloed.
- Bij stentplaatsing in de a. carotis dient veneuze toegang in stand te worden gehouden voor eventuele behandeling van bradycardie en/of hypotensie door middel van farmaceutische interventie of plaatsing van een tijdelijke pacemaker.

- Het SRM **ENROUTE** Stentsysteem voor toegang tot de halsslagader wordt geleverd met **OPEN** Tuohy-Borstklep (zie 'Maak het stentplaatsingssysteem gereed').
- Voordat u de stent op zijn plaats vastzet, moet u alle speling uit het katheterplaatsingssysteem verwijderen (zie 'Vastzetten van de stent').
- Zorg dat het kathetersysteem doorgespoeld wordt via de procedure die beschreven staat in 'Inbrengen van het stentplaatsingssysteem' en 'Maak het stentplaatsingssysteem gereed'. Nalatigheid in deze kan ertoe leiden dat er lucht binnendringt via de toegangskatheter.
- **Koel, donker en droog bewaren.**

VII. Mogelijke complicaties

Procedures waarbij een katheter endovasculair wordt ingebracht, mogen alleen worden uitgevoerd door artsen die bekend zijn met de mogelijke complicaties. Er kunnen zich te allen tijde gedurende of na de procedure complicaties voordoen.

Mogelijke complicaties omvatten, maar zijn niet beperkt tot:

- Overlijden
- Ademhalingsstilstand
- Noodzaak tot het uitvoeren van een ABG-operatie
- Beroerte als gevolg van bloeding of embolie/TIA
- Nierfalen
- Sepsis/infectie
- Embolie
- Ischemie in de a. coronaria
- Aritmie
- Reactie op medicijnen, allergische reactie op contrastmiddel of het implantaat
- Vaatletsel, waaronder perforatie, ruptuur en dissectie
- Disseminatie van intravasculaire coagulatie
- Nieuwe of verslechterde encefalopathie
- Gastrointestinale bloeding als reactie op anticoagulantia/trombocytenaggregatieremmers
- Bloeding
- Parenchymateuze bloeding
- Vorming van aneurysma of pseudoaneurysma
- Intimascheuring of -dissectie
- Stentmigratie of -embolisatie
- Trombose
- Bradycardie en hypotensie
- Arterioveneuze fistel
- Weefselnecrose
- Onjuiste plaatsing van de stent
- Vaatocclusie, restenose of herhaalde vorming van stricturen
- Hematoom
- Spasme van de a. carotis

VIII. Gebruiksaanwijzing

Voorprocedure

Vanaf 72 uur vóór aanvang van de procedure dient de patiënt niet-gebufferde aspirine met non-enteric coating toegediend te krijgen volgens de standaard richtlijnen van het ziekenhuis of volgens voorschrift van een arts. Vanaf 24 à 48 uur voor aanvang van de procedure dienen de juiste

trombocytenuitstroomingsremmers te worden toegediend volgens ziekenhuisprotocol. Na plaatsing van een stent in de a. carotis dienen trombocytenuitstroomingsremmers te worden toegediend volgens de aanwijzingen van de arts.

Endovasculaire plaatsing van de stent in een stenotische a. carotis dient te worden uitgevoerd in een ruimte die bestemd is voor angiografieprocedures. Er dient een angiogram te worden genomen om de ernst van de laesie(s) en de kwaliteit van de collaterale flow te beoordelen. De toegangsvaten dienen ruim genoeg te zijn of voldoende te zijn gekanaliseerd voor verdere interventie. De voorbereiding van de patiënt en voorzorgsmaatregelen in verband met steriliteit dienen overeen te komen met de maatregelen die voor endovasculaire procedures worden gebruikt.

1. Injecteer contrastmiddel

Neem een angiogram met behulp van de standaardtechniek.

2. Identificeer en markeer de laesie

Bepaal de plaats van de laesie onder doorlichting en markeer deze, daarbij lettend op het meest distale gedeelte van de stenose.

Selectie en gereedmaken van medische hulpmiddelen

1. Bepaal de stentmaat

Meet de lengte van de te behandelen laesie om de lengte van de te gebruiken stent(s) te bepalen. Meet de diameter van het aangrenzende vat (proximaal en distaal van de laesie). Selecteer aan de hand van de onderstaande tabel voor selectie van de stentmaat een stent met een vrije diameter die ten minste 1 mm groter is dan de grootste diameter van het aangrenzende vat, dit teneinde goede stentplaatsing te verkrijgen.

Tabel voor keuze van de stentmaat		
Diameter vaatlumen	Vrije stentdiameter	% verkorting lengte
3,0 – 4,0 mm	5,0 mm	1,2 %
4,0 – 5,0 mm	6,0 mm	2,4 %
5,0 – 6,0 mm	7,0 mm	4,1 %
6,0 – 7,0 mm	8,0 mm	6,2 %
7,0 – 8,0 mm	9,0 mm	5,8 %
8,0 – 9,0 mm	10,0 mm	8,0 %

Raadpleeg het productetiket voor de stentlengte.

Opmerking: Het percentage verkorting van de stentlengte is gebaseerd op een wiskundige berekening.

2. Maak het stentplaatsingssysteem gereed

LET OP: Het stentplaatsingssysteem wordt geleverd met Tuohy-Borstklep **OPEN**. Zorg dat de stent tijdens het gereedmaken niet voortijdig expandeert. Maak het product in de tray gereed volgens de onderstaande aanwijzingen. Sluit de Tuohy-Borstklep voordat u het product uit de tray neemt.

- Open de buitenverpakking en verwijder de stent en het plaatsingssysteem.
- Controleer de temperatuurblootstellingsindicator op de steriele verpakking om te zien of het zwarte stippeltjespatroon op grijze achtergrond goed zichtbaar is. Zie de paragraaf 'Waarschuwingen'.
- Inspecteer de steriele barrière van de verpakking zorgvuldig op beschadiging; trek de steriele verpakking vervolgens voorzichtig open en verwijder de schaal. Als u vermoedt dat de steriliteit of de prestaties van het product zijn aangetast, mag u het product niet gebruiken.

- d. Bevestig terwijl het aanzetstuk zich in de schaal bevindt, een afsluitkraan op het Y-vormige aanzetstuk van de Tuohy-Borstklep.
- e. Bevestig een 5ml-spuut met gehepariniseerde fysiologische zoutoplossing op de open afsluitkraan en oefen positieve druk uit totdat er fysiologische zoutoplossing uit het proximale uiteinde van de Tuohy-Borstklep druppelt. Draai de Tuohy-Borstklep dicht.
- f. Sluit de afsluitkraan op het Y-vormige aanzetstuk van de Tuohy-Borstklep.
- g. Neem het stentplaatsingssysteem uit de schaal. Inspecteer het product op beschadiging. Kijk naar het distale uiteinde van de katheter om te controleren of de stent in de buitenschacht zit. Niet gebruiken als de stent gedeeltelijk is geëxpandeerd. Als u een ruimte ziet tussen de kathetertip en de buitenschacht, open u de Tuohy-Borstklep en trekt u de binnenschacht voorzichtig in proximale richting totdat de ruimte is gesloten. Zet de Tuohy-Borstklep na de aanpassing vast door het proximale klepuiteinde rechtsom te draaien.

Stentplaatsingsprocedure

1. Plaatsing van het SRM ENROUTE neuro-beschermingssysteem voor toegang tot de halsslagader.

- a. Creëer toegang tot de te behandelen plaats met behulp van een SRM ENROUTE neuro-beschermingssysteem voor toegang tot de halsslagader.

OPMERKING: Raadpleeg de gebruiksaanwijzing voor het ENROUTE neuro-beschermingssysteem voor toegang tot de halsslagader voor de plaatsingsprocedure en het gebruik van het hulpmiddel.

- b. Het **ENROUTE** Stentsysteem voor toegang tot de halsslagader is compatibel met een voerdraad van 0,36 mm of kleiner.

2. Dilateren van de laesie

- a. Desgewenst kunt u de laesie voordilateren met toepassing van standaard PTA-technieken.
- b. Verwijder de PTA-ballonkatheter uit de patiënt; houd daarbij de toegang tot de laesie in stand met de voerdraad.

3. Inbrengen van het stentplaatsingssysteem

- a. Spoel het voerdraatlumen van het stentplaatsingssysteem met gehepariniseerde fysiologische zoutoplossing door een 5ml-spuut met gehepariniseerde fysiologische zoutoplossing op de afsluitkraan van het Y-stuk (9) van de Tuohy-Borstklep (1) aan te sluiten. Zorg dat de Tuohy-Borstklep (1) vergrendeld is om te voorkomen dat de stent voortijdig expandeert. Oefen positieve druk uit op de spuit totdat er fysiologische zoutoplossing uit de voerdraaduitgangspoort (16) druppelt. Houd de voerdraaduitgangspoort (16) met duim en wijsvinger afgedekt en oefen positieve druk uit op de spuit totdat er fysiologische zoutoplossing druppelt uit de kathetertip (4) en uit de ruimte tussen de radiopake markering op de buitenschacht (11) en de kathetertip (4). Blijf spoelen om alle lucht uit het systeem te verwijderen en sluit vervolgens de kraan op het Y-vormige aanzetstuk (9) op de Tuohy-Borstklep (1).
- b. Zorg dat de Tuohy-Borstklep die de binnenschacht met de buitenschacht verbindt, is vastgezet door het proximale klepuiteinde rechtsom te draaien om te voorkomen dat de stent voortijdig expandeert.
- c. Voer het SRM **ENROUTE** stentplaatsingssysteem voor toegang tot de halsslagader op over de voerdraad van 0,36 mm tot de voerdraaduitgangspoort (16) zich net buiten de klep van de arteriële huls van het ENROUTE neuro-beschermingssysteem voor toegang tot de halsslagader bevindt. Controleer op, en bevestig wanneer aanwezig, de terugbloeding via de opening van de voerdraaduitgangspoort (16).
- d. Voer het SRM ENROUTE Stentsysteem voor toegang tot de halsslagader op naar de plaats van de laesie nadat u bevestigd hebt dat er terugbloeding optreedt.
- e. Voer contrastinjecties uit in overeenstemming met de gebruiksinstructies van het ENROUTE neuro-beschermingssysteem voor toegang tot de halsslagader.

4. Verwijderen van eventuele speling

- a. Voer het stentplaatsingssysteem op tot voorbij de laesie.
- b. Trek het stentplaatsingssysteem terug totdat de radiopake markeringen op de binnenschacht (op voor- en achterkant) op hun plaats zitten en respectievelijk proximaal en distaal van de te behandelen laesie zijn geplaatst.
- c. Zorg dat het stentplaatsingssysteem buiten de patiënt plat en recht blijft.

LET OP: Speling in de katheterschacht in of buiten het lichaam van de patiënt kan ertoe leiden dat de stent voorbij de plaats van de laesie wordt vastgezet.

5. Vastzetten van de stent

OPMERKING: Wanneer u gereed bent voor het expanderen van de stent, kunt u heparine toedienen volgens het standaard ziekenhuisprotocol of volgens voorschrift van een arts. Toedienen van heparine kan ook na plaatsing van de stent plaatsvinden indien dit is voorgeschreven door een arts of volgens het ziekenhuisprotocol.

- a. Controleer of de radiopake markeringen op de binnenschacht van het plaatsingssysteem (op voor- en achterkant) respectievelijk proximaal en distaal van de te behandelen laesie zijn geplaatst.
- b. Draai de Tuohy-Borstklep los waarmee de binnen- en buitenschacht van het plaatsingssysteem met elkaar verbonden zijn.
- c. Zorg ervoor dat de toegangsschacht niet bewogen wordt tijdens het expanderen van de stent.
- d. Begin met het expanderen van de stent door de buitenschacht terug te trekken terwijl u de binnenschacht op zijn plaats houdt. De expansie is voltooid wanneer de markering op de buitenschacht de proximale stentmarkering op de binnenschacht is gepasseerd.

OPMERKING: Het mechanisme voor stentexpansie is het terugtrekken van de buitenschacht. Het expanderen van de stent wordt voltooid door de binnenschacht op zijn plaats te houden en de buitenschacht terug te trekken, waardoor de stent kan expanderen (de zogenaamde 'pin-and-pull' methode).

OPMERKING: Wanneer er meerdere stents zijn vereist om de laesie af te dekken, dient u de meest distale stent als eerste te plaatsen. Overlappen van de stents dient tot een minimum beperkt te worden. Onder geen beding mogen meer dan twee (2) stents elkaar overlappen.

6. Stentdilatie na expansie

- a. Trek het gehele plaatsingssysteem onder doorlichting als één geheel over de voerdraad terug uit het lichaam. Verwijder het plaatsingssysteem voorzichtig van de voerdraad.

OPMERKING: Als u weerstand ondervindt tijdens het terugtrekken van het plaatsingssysteem, dient u de buitenschacht op te voeren totdat de markering op de buitenschacht de kathetertip raakt en het systeem vervolgens als één geheel terug te trekken. (Verwijder de voerdraad niet.)

- b. Controleer onder doorlichting of de stent geheel is geëxpandeerd.
- c. Als de stent op bepaalde plaatsen in de laesie niet geheel is geëxpandeerd, kunt u hem met behulp van een dilatatieballon verder dilateren (standaard PTA-techniek).
- d. Selecteer een PTA-ballonkatheter van de juiste maat en dilateer de laesie met toepassing van de gebruikelijke technieken. De inflatiediameter van de PTA-ballonkatheter die gebruikt wordt voor postdilatie dient de diameter van het aangrenzende vat te benaderen. Verwijder de PTA-ballon voorzichtig uit het lichaam van de patiënt.

7. Na het plaatsen van de stent

- a. Neem een angiogram nadat de stent is geplaatst.
- b. Verwijder het SRM ENROUTE neuro-beschermingssysteem voor toegang tot de halsslagader conform de gebruiksaanwijzing voor het SRM ENROUTE neuro-beschermingssysteem voor toegang tot de halsslagader en breng hemostase tot stand.
- c. Werp het SRM **ENROUTE** stentplaatsingssysteem, de voerdraad en het SRM ENROUTE neuro-beschermingssysteem voor toegang tot de halsslagader weg.

OPMERKING: Het bepalen van de aan de patiënt toe te dienen medicatie na de ingreep wordt aan de ervaring en het oordeel van de arts overgelaten.

IX. Compatibiliteit met MRI



Niet-klinische testen hebben aangetoond dat de ENROUTE stent voor toegang tot de halsslagader MRI-veilig is onder bepaalde voorwaarden. Een patiënt met dit apparaat kan veilig worden gescand in een MR-systeem als er wordt voldaan aan de volgende voorwaarden:

- o Statisch magnetisch veld van slechts 1,5 Tesla of 3 Tesla
- o Maximum ruimtelijke gradiënt magnetisch veld van 4.000 Gauss/cm (40 Tesla/m) of minder
- o Maximum gerapporteerde MR-systeem, voor het gehele lichaam gemiddelde, specifieke absorptie (SAR) van 2 W/kg (normale bedrijfsmodus)

Volgens de hierboven gedefinieerde voorwaarden van het scannen, wordt verwacht dat de ENROUTE stent voor toegang tot de halsslagader een maximum temperatuurstijging van 2,4° C heeft na 15 minuten van continu scannen.

Het afbeeldingsartefact, veroorzaakt door het hulpmiddel, loopt in niet-klinische testen ongeveer 5 mm van de ENROUTE stent voor toegang tot de halsslagader wanneer afgebeeld met een gradiënt echo pulssequentie en een 3 Tesla MRI-systeem. Het artefact verduistert het apparaatlumen.

X. Levering

Het SRM **ENROUTE** Stentsysteem voor toegang tot de halsslagader wordt steriel geleverd (gesteriliseerd met ethyleenoxidegas) en is uitsluitend bestemd VOOR EENMALIG GEBRUIK.

GARANTIEDISCLAIMER EN BEPERKING VAN RECHTSMIDDELEN

SILK ROAD MEDICAL, INC. BIEDT GEEN EXPLICIETE OF IMPLICIETE VERKLARING OF GARANTIE VOOR HAAR PRODUCTEN, MET INBEGRIJ VAN, MAAR NIET BEPERKT TOT, EEN IMPLICIETE GARANTIE VAN VERKOOPBAARHEID OF GESCHIKTHEID VOOR EEN BEPAALD DOEL. IN GEEN GEVAL ZAL SILK ROAD MEDICAL AANSPRAKELIJK ZIJN VOOR DIRECTE, INCIDENTELE OF GEVOLGSCHADE BEHALVE INDIEN EXPLICIET BEPAALD IN EEN BIJZONDERE WET. GEEN ENKELE PERSOON HEEFT DE BEVOEGDHEID OM SILK ROAD MEDICAL TE BINDEN AAN EEN ANDERSLUIDENDE VERKLARING OF GARANTIE, BEHALVE ZOALS HIERIN SPECIFIEK UITEENGEZET.

Beschrijvingen of kenmerken in het drukwerk van Silk Road Medical, waaronder deze gebruiksaanwijzingen, dienen uitsluitend voor de algemene beschrijving van (het) product(en) op het moment van fabricage en zijn geen expliciete of impliciete weergave van haar producten, met inbegrip van, maar niet beperkt tot, een impliciete garantie van verkoopbaarheid of geschiktheid voor een bepaald doel.

Alle Silk Road Medical producten zijn uitsluitend bedoeld voor eenmalig gebruik. Niets mag worden hergebruikt of opnieuw gesteriliseerd voor welk doel dan ook en niets is gevalideerd voor meerdere toepassingen. Silk Road Medical aanvaardt geen aansprakelijkheid voor schade, met inbegrip van, maar niet beperkt tot directe, incidentele, en gevolgschade die voortvloeit uit het hergebruiken en het opnieuw steriliseren van een van zijn producten.

Istruzioni per l'uso – Sistema di stent transcarotideo ENROUTE® Silk Road Medical

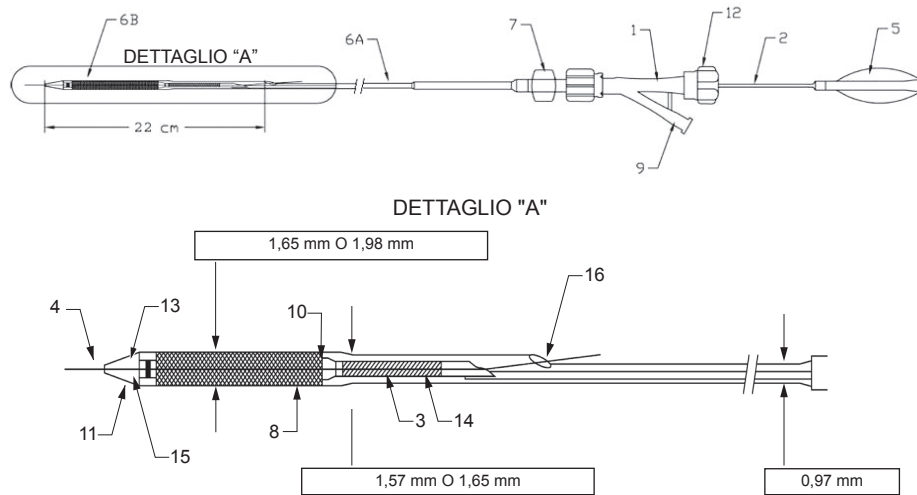


Figura 1. SISTEMA DI STENT TRANSCAROTIDEO ENROUTE

- | | |
|--|--|
| 1. Valvola Tuohy Borst | 9. Connettore a Y della valvola Tuohy Borst |
| 2. Ipotubo | 10. Indicatore del corpo interno prossimale (arresto) che indica l'estremità distale dello stent |
| 3. Spirale | 11. Indicatore radiopaco della cannula esterna |
| 4. Punta del corpo interno del catetere | 12. Estremità prossimale della valvola |
| 5. Connettore del corpo interno | 13. Indicatore dello stent corpo interno distale |
| 6A. Corpo prossimale | 14. Manicotto spirale |
| 6B. Cannula esterna distale | 15. Lume della guida |
| 7. Connettore Luer della cannula esterna | 16. Foro di uscita della guida |
| 8. Stent compresso portapunta | |

STERILE. Sterilizzato con ossido di etilene. Apirogeno. Radiopaco. Esclusivamente monouso. Non risterilizzare. Conservare in luogo fresco e asciutto e al riparo dalla luce.

Da utilizzare esclusivamente con il Sistema di neuroprotezione transcarotideo ENROUTE Silk Road Medical.

Vietata la vendita negli Stati Uniti d'America.

I. Nome del dispositivo

Il nome registrato del dispositivo è Sistema di stent transcarotideo **ENROUTE®** Silk Road Medical.

II. Descrizione

Il Sistema di stent transcarotideo **ENROUTE** Silk Road Medical è composto da uno stent autoespandibile in nitinol, premontato su un sistema di rilascio con cannula da 1,65 mm o 1,98 mm. Il sistema di rilascio è composto principalmente da un corpo interno e da una cannula esterna con indicatori radiopachi e da una valvola Tuohy Borst. Il corpo interno è composto da un elemento di supporto e lume della guida. La parte prossimale dell'elemento di supporto è costituita da un connettore collegato ad una guida e ad un ipotubo in acciaio inossidabile, e, distalmente, da una spirale in acciaio inossidabile. Il lume della guida prende forma distalmente in una punta di catetere e termina prossimalmente in corrispondenza del foro di uscita della guida in grado di accettare una guida da 0,36 mm. La cannula esterna è dotata di un corpo prossimale e una cannula esterna distale con una lunghezza utile nominale pari a 57 cm. Lo stent autoespandibile è confinato nello spazio tra il corpo interno e la cannula esterna distale, situato tra gli indicatori distale e prossimale dello stent sul corpo interno. Lo stent si espande fino al suo diametro massimo quando viene rilasciato dal catetere di posizionamento nel vaso. Al momento del posizionamento, lo stent forma un reticolo e spinge verso l'esterno sulla superficie luminale, agevolando la conservazione della pervietà del vaso. Grazie alla capacità di autoespansione del nitinol, gli stent sono indicati per il posizionamento nei vasi con un diametro inferiore di 1-2 mm rispetto al diametro massimo dello stent. La **Figura 1** mostra i componenti del dispositivo.

III. Indicazioni per l'uso

Il sistema di stent transcarotideo **ENROUTE** Silk Road Medical (SRM), utilizzato unitamente ad un sistema di neuroprotezione transcarotideo ENROUTE Silk Road Medical (SRM), è indicato per l'uso in pazienti affetti da lesioni stenotiche delle carotidi.

IV. Controindicazioni

Generalmente, le controindicazioni alla PTA sono controindicazioni anche per l'impianto di stent. Esse includono, pur non essendovi limitate, le seguenti:

- pazienti con lesioni estremamente calcificate resistenti alla PTA;
- pazienti con lesioni bersaglio con adiacenza di trombo acuto o subacuto di dimensioni rilevanti;
- pazienti con disturbi emorragici non corretti;
- impianto di stent in arterie intracraniche.

V. Avvertenze

- Il disegno punteggiato di nero sull'indicatore termico grigio, individuabile sulla busta, deve essere chiaramente visibile. Non usare se l'indicatore termico è completamente nero, in quanto il diametro che lo stent dovrebbe raggiungere al rilascio dal sistema di rilascio potrebbe essere stato compromesso.
- Il Sistema di stent transcarotideo **ENROUTE** SRM è esclusivamente monouso. NON sterilizzare e/o NON riutilizzare il dispositivo.
- Il riutilizzo di questo prodotto, anche dopo il ritrattamento e/o la sterilizzazione, può compromettere l'integrità strutturale del dispositivo e causarne il malfunzionamento nonché determinare un'errata gestione delle informazioni critiche relative all'uso e all'etichettatura, aumentando i rischi potenziali per la sicurezza del paziente.
- Non usare se la busta è aperta o danneggiata.
- Usare lo stent e il sistema di rilascio prima della data di scadenza indicata sulla confezione.
- Non usare con i mezzi di contrasto Ethiodol o Lipiodol (marchi registrati di Guerbet S.A.).

- Non esporre il sistema di rilascio a solventi organici (ad esempio l'alcol).
- L'uso di un accessorio di una misura inferiore a quella indicata e diverso dalla cannula arteriosa transcarotideale del Sistema di neuroprotezione ENROUTE SRM può causare l'introduzione di aria in questo dispositivo durante l'avanzamento del sistema di rilascio dello stent, che potrebbe non venire rimossa durante l'aspirazione dell'aria.
- Lo stent non è progettato per essere ritirato o riposizionato.
- Quando lo stent è parzialmente posizionato, non può essere recuperato con il sistema di rilascio.
- Come per qualsiasi tipo di impianto vascolare, l'infezione secondaria alla contaminazione dello stent può provocare trombosi, pseudoaneurisma o rottura.
- Lo stent può causare embolizzazione distale, formazione di trombo, oppure può scendere dalla sede d'impianto lungo il lume arterioso.
- Lo stiramento eccessivo dell'arteria può causarne la rottura e un'emorragia pericolosa per la vita del paziente.

Non è raccomandato impiantare lo stent in pazienti con le caratteristiche seguenti:

- persone allergiche al nichel-titanio (nitinol) che possono manifestare una reazione allergica all'impianto;
- pazienti con insufficienza renale che, secondo il giudizio del medico, potrebbero essere a rischio di reazione al mezzo di contrasto;
- pazienti in stato di gravidanza;
- pazienti con disturbi emorragici o pazienti che non possono essere sottoposti a terapia con anticoagulanti o antiaggreganti;
- pazienti con perforazioni vascolari evidenziate da stravasamento del mezzo di contrasto;
- pazienti che hanno una dilatazione aneurismatica in posizione immediatamente prossimale o distale alla lesione.

VI. Precauzioni

- Il dispositivo deve essere usato solo da medici opportunamente addestrati a tecniche interventistiche come le procedure endovascolari e l'impianto di stent intravascolari.
- Il sistema di rilascio non è progettato per l'uso con iniettori. L'uso con iniettori può alterare negativamente le prestazioni del dispositivo.
- Quando sono all'interno del corpo, i cateteri devono essere manipolati solo sotto fluoroscopia.
- È indispensabile usare apparecchiature radiografiche che forniscano immagini di alta qualità.
- Quando è previsto l'uso di stent in lesioni multiple, è necessario iniziare l'impianto nella lesione distale e proseguire con l'impianto nella lesione prossimale. Questo ordine di precedenza ovvia alla necessità di attraversare lo stent prossimale durante il posizionamento dello stent distale e riduce la possibilità di dislocare gli stent già impiantati.
- Il riattraversamento di uno stent impiantato con un altro dispositivo deve essere effettuato con cautela.
- In caso di trombosi dello stent espanso, è consigliabile tentare la trombolisi e la PTA.
- In caso di complicazioni come infezione, formazione di pseudoaneurisma o fistolizzazione, può rendersi necessaria la rimozione chirurgica dello stent. Sono in tal caso adatte le procedure chirurgiche standard.
- In pazienti che devono assumere antiacidi e/o H2-antagonisti prima o immediatamente dopo l'impianto di stent, l'assorbimento dei farmaci antiaggreganti (es. aspirina) per via orale può essere ridotto.

- Durante l'impianto di stent in carotide, è indispensabile disporre di un accesso venoso, per poter trattare, se necessario, episodi di bradicardia e/o di ipotensione con mezzi farmacologici oppure con impianto di stimolatore cardiaco temporaneo.
- Il Sistema di stent transcarotideo **ENROUTE SRM** è fornito con la valvola Tuohy Borst **APERTA** (consultare il capitolo "Preparazione del sistema di rilascio dello stent").
- Prima del posizionamento dello stent, eliminare eventuali allentamenti del sistema di rilascio del catetere (consultare il capitolo "Rilascio dello stent").
- Accertarsi che il sistema del catetere sia lavato secondo la procedura delineata in "Inserimento del sistema di rilascio dello stent" e in "Preparazione del sistema di rilascio dello stent". Il mancato rispetto di tale azione potrebbe causare l'entrata di aria nel catetere di accesso.
- **Conservare in luogo fresco e asciutto e al riparo dalla luce.**

VII. Complicazioni potenziali

Le procedure che richiedono l'inserimento endovascolare di cateteri non devono essere eseguite da medici che non abbiano familiarità con le possibili complicazioni. Le complicazioni possono manifestarsi in qualsiasi momento durante o dopo la procedura.

Le possibili complicazioni includono, pur non essendovi limitate, le seguenti:

- morte
- arresto respiratorio
- intervento d'urgenza di bypass arterioso
- ictus emorragico o embolico/TIA
- insufficienza renale
- sepsi/infezione
- embolia
- ischemia coronarica
- aritmia
- reazione ai farmaci, reazione allergica al mezzo di contrasto o al dispositivo impiantato
- danno vascolare, tra cui perforazione, rottura e dissezione
- coagulazione intravascolare disseminata
- encefalopatia ex novo o peggiorata
- sanguinamento gastro-intestinale da farmaci anticoagulanti/antiaggreganti
- emorragia
- emorragia parenchimale
- aneurisma e formazione pseudo-aneurismatica
- lacerazione/dissezione intimale
- migrazione/embolizzazione dello stent
- trombosi
- bradicardia e ipotensione
- fistola artero-venosa
- necrosi tessutale
- impianto fuori sede dello stent
- occlusione vascolare, ristenosi o stenosi ricorrente
- ematoma
- spasmo della carotide

VIII. Istruzioni per l'uso

Operazioni preliminari

72 ore prima della procedura, il paziente deve essere trattato con aspirina non tamponata, non gastro-resistente, a dosi prescritte dal medico o previste dallo standard ospedaliero. 24-48 ore prima della procedura, deve essere instaurata una terapia antiaggregante secondo il protocollo ospedaliero. La terapia antiaggregante dopo impianto di stent carotideo deve essere stabilita dal medico.

L'impianto endovascolare dello stent nella carotide stenotica deve essere eseguito in sala angiografica. Deve essere fatta un'angiografia per valutare l'estensione della/e lesione/i e il flusso collaterale. I vasi di accesso devono essere sufficientemente pervi o sufficientemente ricanalizzati per procedere all'intervento. La preparazione del paziente e le precauzioni di sterilità devono essere le stesse di qualsiasi procedura endovascolare.

1. Iniezione del mezzo di contrasto

Eseguire un'angiografia secondo una tecnica standard.

2. Identificazione e contrassegno della lesione

Identificare fluoroscopicamente la lesione e contrassegnarla, tenendo conto del livello più distale della stenosi.

Scelta e preparazione del dispositivo

1. Scelta della misura dello stent

Misurare la lunghezza della lesione bersaglio per determinare la lunghezza degli stent richiesti. Misurare il diametro del vaso di riferimento (prossimale e distale alla lesione). Per ottenere un impianto efficace, è necessario scegliere uno stent con diametro massimo superiore di almeno 1 mm rispetto al diametro massimo del vaso di riferimento, basandosi sulla Tabella di scelta della misura dello stent qui sotto riportata.

Tabella di scelta della misura dello stent

Diametro del lume del vaso	Diametro dello stent al rilascio	% riduzione lunghezza
3,0 – 4,0 mm	5,0 mm	1,2%
4,0 – 5,0 mm	6,0 mm	2,4%
5,0 – 6,0 mm	7,0 mm	4,1%
6,0 – 7,0 mm	8,0 mm	6,2%
7,0 – 8,0 mm	9,0 mm	5,8%
8,0 – 9,0 mm	10,0 mm	8,0%

Per la lunghezza dello stent fare riferimento all'etichetta del prodotto.

Nota: la percentuale di riduzione della lunghezza dello stent si basa su un calcolo matematico.

2. Preparazione del sistema di rilascio dello stent

ATTENZIONE: il sistema di rilascio dello stent è fornito con la valvola Tuohy Borst **APERTA**. Prestare attenzione onde evitare che lo stent venga rilasciato prematuramente durante la preparazione. Preparare il dispositivo nel vassoio secondo le istruzioni seguenti. Chiudere la valvola Tuohy Borst prima di togliere il dispositivo dal vassoio.

- Aprire la scatola esterna per esporre la busta contenente lo stent e il relativo sistema di rilascio.
- Controllare l'indicatore termico sulla busta per accertare la perfetta visibilità del disegno punteggiato di nero su sfondo grigio. Consultare la sezione Avvertenze.

- c. Dopo avere esaminato attentamente la busta per rilevare eventuali danni alla barriera sterile, aprire delicatamente ed estrarre il vassoio. In caso si sospetti la compromissione della sterilità o del funzionamento del dispositivo, il dispositivo non deve essere usato.
- d. Senza rimuovere il dispositivo dal vassoio, collegare un rubinetto al connettore a Y della valvola Tuohy Borst.
- e. Collegare al rubinetto aperto una siringa da 5 cc contenente una soluzione fisiologica eparinizzata e applicare una pressione positiva fino a quando la soluzione fisiologica non gocciola dall'estremità prossimale della valvola Tuohy Borst. Bloccare la valvola Tuohy Borst.
- f. Chiudere il rubinetto collegato al connettore a Y della valvola Tuohy Borst.
- g. Estrarre il sistema di rilascio dello stent dal vassoio. Esaminare il dispositivo per rilevare eventuali danni. Controllare l'estremità distale del catetere per accertarsi che lo stent sia contenuto all'interno della cannula esterna. Non usare se lo stent appare parzialmente rilasciato. Se è visibile uno spazio vuoto tra la punta del catetere e la punta della cannula esterna, aprire la valvola Tuohy Borst e tirare delicatamente il corpo interno in direzione prossimale fino ad eliminare lo spazio vuoto. Chiudere la valvola Tuohy Borst dopo questa regolazione ruotandone l'estremità prossimale in senso orario.

Procedura di rilascio dello stent

1. Impianto del Sistema di neuroprotezione transcarotideo ENROUTE SRM.

- a. Accedere al sito di trattamento utilizzando un Sistema di neuroprotezione transcarotideo ENROUTE SRM.

NOTA: per il posizionamento e l'uso del sistema attenersi alle istruzioni per l'uso del Sistema di neuroprotezione transcarotideo ENROUTE.

- b. Il Sistema di stent transcarotideo **ENROUTE** è compatibile con guide da 0,36 mm o più piccole.

2. Dilatazione della lesione

- a. Se appropriato, pre-dilatare la lesione con una tecnica PTA standard.
- b. Togliere dal paziente il catetere a palloncino PTA mantenendo con la guida l'accesso alla lesione.

3. Inserimento del sistema di rilascio dello stent

- a. Lavare il lume della guida del sistema di rilascio dello stent con soluzione fisiologica eparinizzata collegando una siringa da 5 cc contenente la soluzione fisiologica eparinizzata al rubinetto collegato al connettore a Y (9) della valvola Tuohy Borst (1) per espellere l'aria. Accertarsi che la valvola Tuohy Borst (1) sia in posizione bloccata per impedire un'espansione prematura dello stent. Applicare una pressione positiva sulla siringa fino a quando la soluzione fisiologica non gocciola dal foro di uscita della guida (16). Mentre si copre il foro di uscita della guida (16) usando pollice e indice, applicare una pressione positiva sulla siringa fino a quando la soluzione fisiologica non gocciola dalla punta del catetere (4) e dallo spazio tra l'indicatore radiopaco della cannula esterna (11) e la punta del catetere (4). Continuare l'erogazione per accertarsi di avere eliminato tutta l'aria dal sistema, quindi chiudere il rubinetto collegato al connettore a Y (9) della valvola Tuohy Borst (1).
- b. Per impedire un'espansione prematura dello stent, accertarsi che la valvola Tuohy Borst che collega il corpo interno e la cannula esterna sia bloccata ruotandone l'estremità prossimale in senso orario.
- c. Far avanzare il Sistema di stent transcarotideo **ENROUTE** SRM sulla guida da 0,36 mm finché il foro di uscita della guida (16) non si trova appena fuori dalla valvola della cannula arteriosa transcarotideica del Sistema di neuroprotezione transcarotideo ENROUTE. Controllare e confermare il riflesso attraverso il foro di uscita della guida (16).
- d. Dopo la conferma del riflesso, fare avanzare il Sistema di stent transcarotideo ENROUTE SRM fino al punto della lesione.
- e. Eseguire le iniezioni del mezzo di contrasto conformemente alle istruzioni per l'uso del Sistema di neuroprotezione transcarotideo ENROUTE.

4. Eliminazione dell'allentamento

- a. Far avanzare il sistema di rilascio dello stent al di là della sede della lesione.
- b. Ritirare all'indietro il sistema di rilascio dello stent, facendo muovere gli indicatori radiopachi del corpo interno (posti alle estremità prossimale e distale) per farli posizionare prossimalmente e distalmente alla lesione bersaglio.
- c. Assicurarsi che la parte del sistema di rilascio rimasta fuori dal paziente sia ben distesa e diritta.

ATTENZIONE: l'allentamento del corpo del catetere all'interno o all'esterno del paziente può causare il rilascio dello stent al di là della sede della lesione.

5. Rilascio dello stent

NOTA: al momento di procedere con il rilascio dello stent, è possibile somministrare eparina secondo lo standard ospedaliero o la prescrizione di un medico. L'eparinizzazione può essere prolungata dopo l'impianto dello stent secondo le indicazioni del medico o del protocollo ospedaliero.

- a. Verificare che gli indicatori radiopachi del corpo interno del sistema di rilascio (posti alle estremità prossimale e distale) siano in posizione prossimale e distale rispetto alla lesione bersaglio.
- b. Sbloccare la valvola Tuohy Borst che collega il corpo interno e la cannula esterna del sistema di rilascio.
- c. Accertarsi che la cannula d'accesso non si sposti durante il rilascio dello stent.
- d. Far iniziare l'espansione dello stent retraendo la cannula esterna, mantenendo nel contempo in posizione stabile il corpo interno. L'espansione si completa quando l'indicatore della cannula esterna oltrepassa l'indicatore prossimale del corpo interno.

NOTA: il meccanismo che avvia l'espansione dello stent è la retrazione della cannula esterna. L'espansione si completa tenendo posizionato il corpo interno durante la retrazione della cannula esterna e lasciando che lo stent si espanda (definito spesso come metodo "fissare e tirare").

NOTA: quando è necessario usare più di uno stent per coprire la lesione, occorre impiantare per primo lo stent più distale. Occorre prestare attenzione in modo da ridurre al minimo la sovrapposizione degli stent. In nessun caso, devono sovrapporsi più di due (2) stent.

6. Dilatazione successiva all'impianto dello stent

- a. Sotto fluoroscopia, ritirare tutto il sistema di rilascio come una singola unità sopra la guida e al di fuori del corpo. Sfilare il sistema di rilascio dalla guida.

NOTA: se durante il ritiro del sistema di rilascio venisse avvertita una certa resistenza, far avanzare la cannula esterna fino al contatto tra il suo indicatore e la punta del catetere e ritirare il sistema come una singola unità. (Non togliere la guida.)

- b. Sotto fluoroscopia, osservare lo stent per verificarne l'espansione completa.
- c. Se in un punto qualsiasi della lesione dovesse sussistere un'espansione incompleta dello stent, è possibile procedere ad un'ulteriore dilatazione con palloncino (PTA standard).
- d. Scegliere un catetere a palloncino PTA di misura adeguata e dilatare la lesione con la tecnica usuale. Il diametro di gonfiaggio del catetere a palloncino PTA utilizzato per questa dilatazione deve essere all'incirca uguale al diametro del vaso di riferimento. Togliere il catetere a palloncino PTA dal paziente.

7. Procedura successiva all'impianto dello stent

- a. Dopo l'impianto, è necessario eseguire un'angiografia di controllo.
- b. Togliere il Sistema di neuroprotezione transcarotideo ENROUTE SRM conformemente alle relative istruzioni per l'uso e bloccare il sanguinamento.
- c. Gettare il sistema di rilascio dello stent **ENROUTE SRM**, la guida e il Sistema di neuroprotezione transcarotideo ENROUTE SRM.

NOTA: il regime farmacologico successivo alla procedura per ciascun paziente è determinato dall'esperienza e dalla discrezione del medico.

IX. Compatibilità con la RM



In test non clinici è stato dimostrato che lo stent transcarotideo ENROUTE è "MR Conditional" (a compatibilità condizionata con la risonanza magnetica). Un paziente in cui sia impiantato questo dispositivo può essere sottoposto senza rischi a RM se il sistema RM rispetta le seguenti condizioni:

- campo magnetico statico esclusivamente da 1,5 Tesla o 3 Tesla
- campo magnetico con gradiente spaziale massimo di 4.000 Gauss/cm (40 Tesla/m) o inferiore
- tasso specifico di assorbimento medio per tutto il corpo dichiarato dal sistema RM corrispondente a un valore massimo di 2-W/kg (modalità operativa normale)

Nelle condizioni sopra definite, l'aumento massimo di temperatura previsto generato dallo stent transcarotideo ENROUTE è di 2,4°C dopo 15 minuti di scansione continua.

In test non clinici, l'artefatto causato dal dispositivo si estende per circa 5 mm dallo stent transcarotideo ENROUTE se l'imaging avviene con sequenze gradient echo pesate e un sistema RM da 3 Tesla. L'artefatto nasconde il lume del dispositivo.

X. Dati di fornitura

Il Sistema di stent transcarotideo **ENROUTE SRM** è fornito sterile (sterilizzato a ossido di etilene) ed è **ESCLUSIVAMENTE MONOUSO**.

ESCLUSIONE DELLA RESPONSABILITÀ DI GARANZIA E LIMITI DI RIPARAZIONE

SILK ROAD MEDICAL, INC. NON FORNISCE ALCUNA DICHIARAZIONE NÉ GARANZIA IMPLICITA O ESPLICITA PER ALCUNO DEI PROPRI PRODOTTI, COMPRESA, SENZA ALCUN LIMITE, QUALSIASI GARANZIA IMPLICITA DI COMMERCIALIZZABILITÀ O IDONEITÀ A UNO SCOPO SPECIFICO. IN NESSUNA CIRCOSTANZA SILK ROAD MEDICAL È DA RITENERSI RESPONSABILE PER DANNI DIRETTI, INCIDENTALI O CONSEGUENTI DIVERSI DA QUELLI ESPPLICITAMENTE PREVISTI DALLE LEGGI IN MATERIA. NESSUNO HA L'AUTORITÀ DI VINCOLARE SILK ROAD MEDICAL AD ALCUNA DICHIARAZIONE O RESPONSABILITÀ DI GARANZIA CHE AFFERMI IL CONTRARIO, AD ECCEZIONE DI QUANTO QUI SPECIFICAMENTE ESPOSTO.

Le descrizioni e le specifiche presenti nei materiali a stampa di Silk Road Medical, comprese le presenti Istruzioni per l'uso, hanno esclusivamente lo scopo di descrivere in modo generico i prodotti così come si presentano al momento della produzione, compresa senza alcun limite, qualsiasi garanzia implicita di commerciabilità o idoneità a uno scopo specifico.

Tutti i prodotti Silk Road Medical sono esclusivamente monouso. Nessuno di essi deve essere riutilizzato o risterilizzato per alcuno scopo e nessuno è stato dichiarato idoneo per più utilizzi. Silk Road Medical non può essere ritenuta responsabile di alcun danno, compresi senza alcuna limitazione, danni diretti, incidentali o conseguenti dovuti al riutilizzo o alla risterilizzazione dei suoi prodotti.

Mode d'emploi du système d'endoprothèse transcarotidienne ENROUTE® de Silk Road Medical

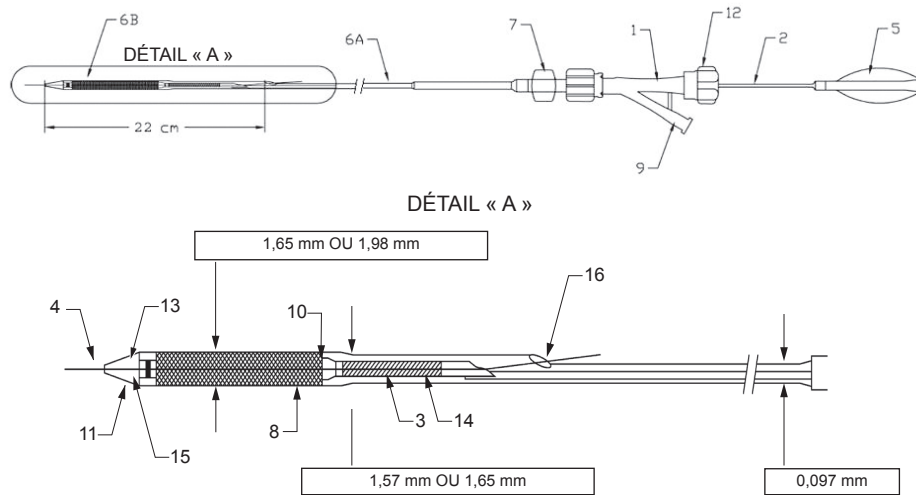


Figure 1. SYSTÈME D'ENDOPROTHÈSE TRANSCAROTIDIENNE ENROUTE

- | | |
|--|---|
| 1. Valve Tuohy Borst | 10. Le marqueur de la tige interne proximale (butée) marque l'extrémité postérieure de l'endoprothèse |
| 2. Hypotube | 11. Marqueur radio-opaque de la gaine externe |
| 3. Bobine | 12. Extrémité proximale de la valve |
| 4. Pointe de la tige interne du cathéter | 13. Marqueur distal de l'endoprothèse de la tige interne |
| 5. Embase de la tige interne | 14. Chemise de la bobine |
| 6A. Tige proximale | 15. Lumière du fil guide |
| 6B. Gaine externe distale | 16. Orifice de sortie du guide |
| 7. Embase Luer de la gaine externe | |
| 8. Endoprothèse sortie d'une gaine | |
| 9. Connecteur en Y de la valve Tuohy Borst | |

STÉRILE. Stérilisé à l'oxyde d'éthylène. Apyrogène. Radio-opaque. À usage unique. Ne pas restériliser. À conserver dans un endroit frais et sec, à l'abri de la lumière.

À utiliser uniquement avec les systèmes de neuroprotection transcarotidienne ENROUTE de Silk Road Medical.

Non commercialisé aux États-Unis.

I. Appellation commerciale du dispositif

L'appellation commerciale du dispositif est : « Système d'endoprothèse transcarotidienne **ENROUTE**® de Silk Road Medical ».

II. Description

Le système d'endoprothèse transcarotidienne **ENROUTE** de Silk Road Medical se compose d'une endoprothèse à expansion automatique en Nitinol préchargée sur un système d'insertion à gaine de 1,65 ou 1,98 mm. Le système d'insertion se compose principalement d'une tige interne, d'une gaine externe dotée de marqueurs radio-opaques et d'une valve de type Tuohy Borst. La tige interne se compose d'un membre de support et d'une lumière de guide. La partie proximale du membre de support est constituée d'une embase connectée à un fil guide en acier inoxydable et à un hypotube, et sa partie distale d'une bobine en acier inoxydable. La lumière du fil-guide commence en position distale au niveau de l'extrémité du cathéter et se termine en position proximale au niveau de l'orifice de sortie du guide conçu pour accueillir un guide de 0,36 mm. La gaine externe comporte une tige proximale et une gaine externe distale d'une longueur utile nominale de 57 cm. L'endoprothèse auto-extensible est contenue dans l'espace compris entre la tige interne et la gaine externe distale, situé entre les marqueurs d'endoprothèse distal et proximal de la tige interne. L'endoprothèse se déploie pour atteindre son diamètre d'implantation lorsqu'elle est libérée du cathéter de déploiement dans le vaisseau. Une fois déployée, l'endoprothèse forme un treillis ouvert et exerce une pression vers l'extérieur de la surface luminale, ce qui permet de maintenir la perméabilité du vaisseau. En raison du comportement auto-extensible du Nitinol, les endoprothèses sont indiquées pour être placées dans des vaisseaux dont le diamètre est de 1 à 2 mm inférieur au diamètre d'implantation de l'endoprothèse. Les composants et les représentations du dispositif sont fournis à la **Figure 1**.

III. Indications

Le système d'endoprothèse transcarotidienne **ENROUTE** de Silk Road Medical (SRM), utilisé conjointement avec un système de neuroprotection transcarotidienne ENROUTE de Silk Road Medical (SRM), est indiqué chez les patients présentant des lésions sténotiques d'une ou des artères carotides.

IV. Contre-indications

D'une manière générale, les contre-indications sont celles de l'angioplastie transluminale percutanée. Le dispositif est notamment contre-indiqué dans les cas suivants :

- lésions hypercalcifiées, résistantes à l'angioplastie transluminale percutanée ;
- présence de thrombus aigus ou subaigus importants à proximité des lésions visées ;
- patients souffrant de troubles hémorragiques non maîtrisés ;
- implantation du dispositif dans les artères intracrâniennes.

V. Avertissements

- Les points noirs sur fond gris de l'indicateur d'exposition à la chaleur situé sur la pochette de protection doivent être nettement visibles. Ne pas utiliser le système si l'indicateur d'exposition à la chaleur est complètement noir ; en effet, il est possible dans ce cas que l'endoprothèse ne puisse plus atteindre son diamètre d'implantation.
- Le système d'endoprothèse transcarotidienne **ENROUTE** de SRM est un dispositif à usage unique. NE PAS restériliser et/ou réutiliser le dispositif.
- La réutilisation de ce produit, y compris après reconditionnement et/ou restérilisation, peut compromettre son intégrité structurelle, ce qui risquerait d'entraîner un fonctionnement non conforme aux attentes et la perte d'informations d'étiquetage/d'utilisation essentielles, et donc de constituer un risque potentiel pour la sécurité du patient.
- N'utiliser le système d'insertion d'endoprothèse que si la pochette de protection est intacte.
- Utiliser l'endoprothèse et le système d'insertion avant la date de péremption indiquée sur l'emballage (mention « À utiliser avant le »).
- Ne pas utiliser avec les agents de contraste Ethiodol ou Lipiodol (Ethiodol et Lipiodol sont des marques de la société Guerbet S.A.).

- Ne pas exposer le système d'insertion à des solvants organiques (alcool, par exemple).
- L'usage d'un dispositif plus petit que la taille indiquée (autre qu'une gaine artérielle transcarotidienne pour le système de neuroprotection transcarotidienne ENROUTE de SRM) pourrait provoquer l'introduction d'air dans ce dispositif pendant la progression du système de neuroprotection, air qui risquerait de ne pas être éliminé au cours de l'aspiration.
- L'endoprothèse n'a pas été conçue pour être entraînée ou repositionnée.
- Le système d'insertion ne peut pas servir à la récupération d'une endoprothèse partiellement déployée.
- Comme c'est le cas pour tout implant vasculaire, les infections consécutives à une contamination de l'endoprothèse peuvent causer une thrombose, un pseudo-anévrisme ou une rupture vasculaire.
- L'endoprothèse peut provoquer une embolie distale ou la formation d'un thrombus. Elle peut également se déloger du site d'implantation et migrer vers la lumière artérielle.
- L'étirement excessif de l'artère peut entraîner sa rupture et une hémorragie potentiellement fatale.

L'implantation de l'endoprothèse est déconseillée dans les cas suivants :

- patients allergiques au nickel-titane (Nitinol) susceptibles de développer une réaction allergique à l'implant ;
- patients souffrant d'insuffisance rénale susceptibles, selon l'avis du médecin, de développer une réaction au produit de contraste ;
- patientes enceintes ;
- patients souffrant de troubles hémorragiques ou pour lesquels un traitement anticoagulant ou antiagrégant plaquettaire est contre-indiqué ;
- patients présentant une perforation du système vasculaire mise en évidence par l'extravasation de produit de contraste ;
- patients présentant une dilatation anévrysmale proximale ou distale à la lésion visée.

VI. Précautions d'emploi

- L'utilisation de ce dispositif est réservée aux médecins dûment formés aux techniques telles que les interventions endovasculaires et l'implantation d'endoprothèses vasculaires.
- Le système d'insertion n'a pas été conçu pour être utilisé avec un injecteur automatique. L'emploi d'un injecteur automatique pourrait altérer les performances du dispositif.
- Toute manipulation d'un cathéter à l'intérieur du corps humain doit impérativement se faire sous surveillance fluoroscopique.
- Cette surveillance exige un équipement radiographique fournissant des images de haute qualité.
- Lors du traitement de multiples lésions, il convient d'implanter une première endoprothèse le long de la lésion distale, puis de procéder à l'implantation de la deuxième endoprothèse le long de la lésion proximale. On évite ainsi de faire passer l'endoprothèse distale à travers l'endoprothèse proximale, ce qui réduit les risques de délogement de celle-ci.
- Toute traversée d'une endoprothèse déployée par des dispositifs auxiliaires doit s'effectuer avec précaution.
- En présence de thrombose de l'endoprothèse déployée, procéder à une tentative de thrombolyse et d'angioplastie transluminale percutanée.
- En présence de complications à type d'infection, de pseudo-anévrisme ou de fistulisation, l'extraction chirurgicale de l'endoprothèse peut s'avérer nécessaire. On suivra pour ceci le protocole chirurgical standard.
- Chez les patients exigeant l'administration d'antiacide et/ou d'inhibiteur des récepteurs H2 avant l'implantation de l'endoprothèse ou immédiatement à la suite de celle-ci, l'absorption d'agents antiagrégants plaquettaires administrés par voie orale (aspirine, par exemple) peut être compromise.

- Pour permettre, au besoin, la régulation d'une bradycardie et ou d'une hypotension par pharmacothérapie ou implantation d'un stimulateur cardiaque temporaire, maintenir un accès veineux lors de l'implantation de l'endoprothèse dans une artère carotide.
- Le système d'endoprothèse transcarotidienne **ENROUTE** de SRM est fourni avec la valve Tuohy Borst **OUVERTE** (se reporter à la rubrique « Préparation du système d'insertion d'endoprothèse »).
- Avant l'expansion de l'endoprothèse, éliminer tout jeu du système d'insertion à cathéter (se reporter à la rubrique « Procédure d'expansion de l'endoprothèse »).
- S'assurer que le système du cathéter est purgé selon les instructions des sections « Introduction du système d'insertion d'endoprothèse » et « Préparation du système d'insertion d'endoprothèse ». Le manquement à cette consigne pourrait provoquer l'entrée d'air dans le cathéter d'accès.
- **À conserver dans un endroit frais et sec, à l'abri de la lumière.**

VII. Complications possibles

Les procédures exigeant l'introduction de cathéters endovasculaires peuvent uniquement être effectuées par des médecins connaissant les complications susceptibles de se manifester. Celles-ci peuvent se produire inopinément pendant ou après l'intervention.

Les complications possibles comprennent, mais sans s'y limiter :

- Décès
- Arrêt respiratoire
- Pontage coronarien par greffe d'urgence
- Accident vasculaire cérébral imputable à une hémorragie ou à un(e) embolie/accident ischémique transitoire
- Insuffisance rénale
- Septicémie/infection
- Embolie
- Ischémie coronarienne
- Arythmie
- Réactions pharmacothérapeutiques, allergie au produit de contraste ou à l'endoprothèse
- Perforation, rupture, dissection ou autre lésion artérielle
- Coagulation intravasculaire diffuse
- Apparition d'une encéphalopathie ou aggravation d'une encéphalopathie préexistante
- Hémorragie gastro-intestinale imputable à la pharmacothérapie anticoagulante/antiplaquettaire
- Hémorragie
- Hémorragie parenchymale
- Anévrismes et pseudo-anévrismes
- Déchirure ou dissection de l'intima
- Migration ou embolisation de l'endoprothèse
- Thrombose
- Bradycardie et hypotension
- Fistule artérioveineuse
- Nécrose tissulaire
- Mauvais positionnement de l'endoprothèse
- Occlusion vasculaire, resténose ou nouveau rétrécissement du site d'implantation
- Hématome
- Spasme de l'artère carotide

VIII. Mode d'emploi

Mesures à prendre avant l'intervention

Le patient peut prendre de l'aspirine non tamponnée, non entérosoluble, 72 heures avant l'intervention, conformément aux dosages standard de l'établissement ou à ceux prescrits par le médecin. Une thérapie antiplaquettaire doit être administrée 24 à 48 heures avant l'intervention, conformément au protocole hospitalier. La thérapie anti-plaquettaire suivant une implantation dans les artères carotides doit être conforme aux instructions du médecin.

L'implantation endovasculaire de l'endoprothèse dans une artère carotide sténosée doit s'effectuer en salle d'angiographie. Procéder à une angiographie pour évaluer l'étendue de la ou des lésions, ainsi que la circulation collatérale. Les vaisseaux d'accès doivent être suffisamment perméables, ou suffisamment reperméabilisés, pour permettre la poursuite de l'intervention. La préparation du patient et les précautions relatives à la stérilité seront les mêmes que pour toute autre procédure endovasculaire.

1. Injection de produit de contraste

Effectuer une angiographie à l'aide d'une technique standard.

2. Évaluation et repérage de la lésion

Procéder à une évaluation et à un repérage fluoroscopiques de la lésion, en observant l'extrémité distale de la sténose.

Sélection et préparation du dispositif

1. Sélection de la taille de l'endoprothèse

Mesurer la longueur de la lésion visée afin de déterminer celle de l'endoprothèse (ou des endoprothèses) nécessaire(s). Mesurer le diamètre vasculaire de référence (en amont et en aval de la lésion). Pour assurer le succès de l'implantation, il convient de sélectionner une endoprothèse dont le diamètre après expansion est supérieur d'au moins 1 mm au plus grand diamètre du vaisseau de référence, conformément aux indications du tableau de sélection ci-dessous.

Tableau de sélection de la taille de l'endoprothèse

Diamètre de la lumière vasculaire	Diamètre d'implantation de l'endoprothèse	% de raccourcissement de la longueur
3 à 4 mm	5 mm	1,2 %
4 à 5 mm	6 mm	2,4 %
5 à 6 mm	7 mm	4,1 %
6 à 7 mm	8 mm	6,2 %
7 à 8 mm	9 mm	5,8 %
8 à 9 mm	10 mm	8 %

Se reporter à l'emballage du produit pour connaître la longueur de l'endoprothèse.

Remarque : Le pourcentage de raccourcissement de la longueur de l'endoprothèse est basé sur un calcul mathématique.

2. Préparation du système d'insertion d'endoprothèse

MISE EN GARDE : le système d'insertion d'endoprothèse est livré avec la valve Tuohy Borst **OUVERTE**. Veiller à éviter tout déploiement prématuré de l'endoprothèse lors de la préparation du système. Préparer le dispositif dans son plateau, conformément aux instructions ci-dessous. Fermer la valve Tuohy Borst avant de retirer le dispositif du plateau.

- Ouvrir le carton externe pour exposer la poche contenant l'endoprothèse et le système d'insertion.
- Vérifier l'indicateur d'exposition à la chaleur de la pochette de protection pour s'assurer que les points noirs sur fond gris sont clairement visibles. Voir la rubrique « Avertissements ».

- c. Après avoir méticuleusement inspecté la poche pour s'assurer de sa stérilité, l'ouvrir avec précaution et retirer le plateau. Ne pas utiliser le dispositif en cas de doute sur sa stérilité ou son bon état.
- d. Avant de retirer le système du plateau, fixer un robinet sur le connecteur en Y de la valve Tuohy Borst.
- e. Fixer une seringue de 5 cc remplie de sérum physiologique hépariné sur le robinet ouvert et appliquer une pression positive jusqu'à ce que le sérum commence à s'écouler par l'extrémité proximale de la valve Tuohy Borst. Verrouiller la valve Tuohy Borst.
- f. Fermer le robinet installé sur le connecteur en Y de la valve Tuohy Borst.
- g. Retirer le système d'insertion d'endoprothèse du plateau. Inspecter le dispositif pour s'assurer qu'il n'est pas endommagé. Évaluer l'extrémité distale du cathéter afin de s'assurer que l'endoprothèse se trouve bien dans la gaine externe. Ne pas utiliser l'endoprothèse si celle-ci est partiellement déployée. Si l'extrémité du cathéter n'est pas au ras de celle de la gaine externe, ouvrir la valve Tuohy Borst et tirer avec précaution sur la tige interne, dans le sens proximal, jusqu'à ce que le cathéter ne fasse plus saillie. Une fois cette rectification effectuée, verrouiller la valve Tuohy Borst en tournant son extrémité proximale dans le sens des aiguilles d'une montre.

Procédure de déploiement de l'endoprothèse

1. Mise en place du système de neuroprotection transcarotidienne ENROUTE de SRM

- a. Pratiquer l'accès au site de traitement à l'aide d'un système de neuroprotection transcarotidienne ENROUTE de SRM.

REMARQUE : se reporter au mode d'emploi du système de neuroprotection transcarotidienne ENROUTE pour connaître la procédure de mise en place et les consignes d'utilisation du dispositif.

- b. Le système d'endoprothèse transcarotidienne **ENROUTE** est compatible avec les guides de 0,36 mm ou inférieur.

2. Dilatation de la lésion

- a. Procéder, le cas échéant, à une dilatation préliminaire de la lésion à l'aide de techniques standard d'angiographie transluminale percutanée.
- b. Retirer le cathéter d'angiographie transluminale percutanée à ballonnet du corps du patient, tout en maintenant l'accès à la lésion à l'aide du guide.

3. Introduction du système d'insertion d'endoprothèse

- a. Purger l'air de la lumière du guide du système d'insertion d'endoprothèse en connectant une seringue de 5 cc de sérum physiologique hépariné au robinet du connecteur en Y (9) de la valve Tuohy Borst (1). Vérifier que la valve Tuohy Borst (1) est bien en position verrouillée afin d'éviter tout déploiement prématuré de l'endoprothèse. Appliquer une pression positive au niveau de la seringue jusqu'à ce que le sérum physiologique commence à s'écouler par l'orifice de sortie du guide (16). Couvrir cet orifice de sortie (16) avec le pouce et l'index tout en appliquant une pression positive au niveau de la seringue, jusqu'à ce que le sérum physiologique s'écoule par l'extrémité du cathéter (4) dans l'espace compris entre le marqueur radio-opaque de la gaine externe (11) et l'extrémité du cathéter (4). Continuer de purger pour s'assurer que tout l'air est éliminé du système, puis fermer le robinet relié au connecteur en Y (9) de la valve Tuohy Borst (1).
- b. Afin d'éviter tout déploiement prématuré de l'endoprothèse, vérifier que la valve Tuohy Borst assurant la solidarité entre la gaine externe et de la tige interne est bien verrouillée, en tournant l'extrémité proximale de la valve dans le sens des aiguilles d'une montre.
- c. Faire progresser le système d'endoprothèse transcarotidienne **ENROUTE** de SRM le long du guide de 0,36 mm jusqu'à ce que l'orifice de sortie du guide (16) se trouve juste à la sortie de la valve de la gaine artérielle transcarotidienne du système de neuroprotection transcarotidienne ENROUTE. Vérifier la présence d'un reflux au niveau de l'ouverture de l'orifice de sortie du guide (16).
- d. Après avoir vérifié la présence du reflux, faire progresser le système d'endoprothèse transcarotidienne ENROUTE de SRM jusqu'à la lésion.
- e. Procéder à l'injection du produit de contraste conformément au mode d'emploi du système de neuroprotection transcarotidienne ENROUTE.

4. Suppression du jeu

- a. Faire progresser le système d'insertion d'endoprothèse au-delà du site de la lésion.
- b. Rétracter le système d'insertion d'endoprothèse afin de mettre les marqueurs radio-opaques de la tige interne (extrémités distale et proximale) en place, en aval et en amont de la lésion visée.
- c. S'assurer que la partie du système d'insertion d'endoprothèse située en dehors du corps du patient reste droite et à plat.

MISE EN GARDE : tout jeu présent au niveau de la tige du cathéter à l'extérieur ou à l'intérieur du corps du patient peut entraîner un déploiement de l'endoprothèse au-delà du site de la lésion.

5. Déploiement de l'endoprothèse

REMARQUE : une fois les préparatifs au déploiement de l'endoprothèse terminés, on peut administrer de l'héparine conformément aux dosages standard de l'établissement ou à ceux prescrits par le médecin. L'administration d'héparine peut se poursuivre après le déploiement de l'endoprothèse si le médecin le juge utile ou si le protocole hospitalier l'exige.

- a. Vérifier que les marqueurs radio-opaques de la tige interne du système d'insertion (extrémités distale et proximale) se trouvent bien en aval et en amont de la lésion visée.
- b. Déverrouiller la valve Tuohy Borst qui assure la solidarité entre la tige interne et la gaine externe du système d'insertion.
- c. S'assurer que la gaine d'accès ne bouge pas pendant le déploiement.
- d. Déployer l'endoprothèse en rétractant la gaine externe tout en immobilisant la tige interne. L'endoprothèse est complètement déployée dès que le marqueur de la gaine externe se trouve en amont du marqueur proximal de la tige interne.

REMARQUE : la rétraction de la gaine externe constitue le mécanisme d'implantation de l'endoprothèse. Ce déploiement s'effectue par immobilisation de la tige interne et rétraction de la gaine externe, ce qui permet l'expansion de l'endoprothèse (technique souvent appelée « blocage et traction »).

REMARQUE : lorsque la longueur de la lésion impose de recourir à plusieurs endoprothèses, il convient de commencer par implanter l'endoprothèse la plus distale. Le chevauchement des endoprothèses doit être également minimisé. Ne jamais faire se chevaucher plus de deux (2) endoprothèses.

6. Expansion complémentaire de l'endoprothèse après implantation

- a. Sous surveillance fluoroscopique, rétracter l'ensemble du système d'insertion d'un seul tenant par-dessus le guide et le retirer du corps du patient. Retirer le dispositif d'insertion du guide.

REMARQUE : en cas de résistance lors du retrait du système d'insertion, avancer la gaine externe jusqu'à ce que son marqueur entre en contact avec l'extrémité du cathéter, puis retirer le système d'un seul tenant. (Ne pas retirer le guide.)

- b. Sous surveillance fluoroscopique, examiner l'endoprothèse afin de vérifier qu'elle est complètement déployée.
- c. Si l'expansion de l'endoprothèse n'est pas optimale sur toute la surface de la lésion, on peut procéder à une expansion complémentaire à l'aide d'un ballonnet, en utilisant une technique d'angioplastie transluminale percutanée standard.
- d. Sélectionner un cathéter d'angioplastie transluminale percutanée à ballonnet d'une taille adéquate et dilater la lésion à l'aide d'une technique conventionnelle. Le diamètre de gonflage du ballonnet d'angioplastie transluminale percutanée servant à l'expansion complémentaire doit être voisin de celui du vaisseau de référence. Retirer le cathéter d'angioplastie transluminale percutanée à ballonnet du corps du patient.

7. Mesures à prendre après l'implantation de l'endoprothèse

- a. Effectuer une angiographie post-opératoire.
- b. Retirer le système de neuroprotection transcarotidienne ENROUTE de SRM en suivant les instructions fournies dans le mode d'emploi de ce dernier, puis réaliser l'hémostase.
- c. Jeter le système d'insertion d'endoprothèse **ENROUTE** de SRM, le guide et le système de neuroprotection transcarotidienne ENROUTE de SRM.

REMARQUE : il appartient au médecin de déterminer la pharmacothérapie post-opératoire adéquate au cas par cas, sur la base de son expérience.

IX. Compatibilité avec l'imagerie par résonance magnétique (IRM)



Des essais non cliniques ont démontré que l'endoprothèse transcarotidienne ENROUTE est compatible avec l'IRM sous certaines conditions. Un patient équipé de ce dispositif peut subir une IRM sans danger si les conditions suivantes sont respectées :

- Champ magnétique statique de 1,5 ou 3 Tesla uniquement
- Champ magnétique de gradient spatial maximal de 4 000 Gauss/cm (40 Tesla/m) ou moins
- Système de RM maximum signalé, taux d'absorption spécifique (SAR) moyen pour le corps entier de 2 W/kg (mode de fonctionnement normal)

Dans les conditions d'examen définies ci-dessus, l'endoprothèse transcarotidienne ENROUTE devrait produire une élévation maximale de température de 2,4 °C après 15 minutes d'examen en continu.

Lors d'essais non cliniques, l'artéfact d'image causé par le dispositif s'étend d'environ 5 mm autour de l'endoprothèse transcarotidienne ENROUTE lorsque l'examen est pratiqué avec une séquence d'impulsion à écho de gradient et un système d'IRM de 3 Tesla. L'artéfact obscurcit la lumière du dispositif.

X. Conditionnement

Le système d'endoprothèse transcarotidienne **ENROUTE** de SRM est fourni stérilisé à l'oxyde d'éthylène et il est À USAGE UNIQUE.

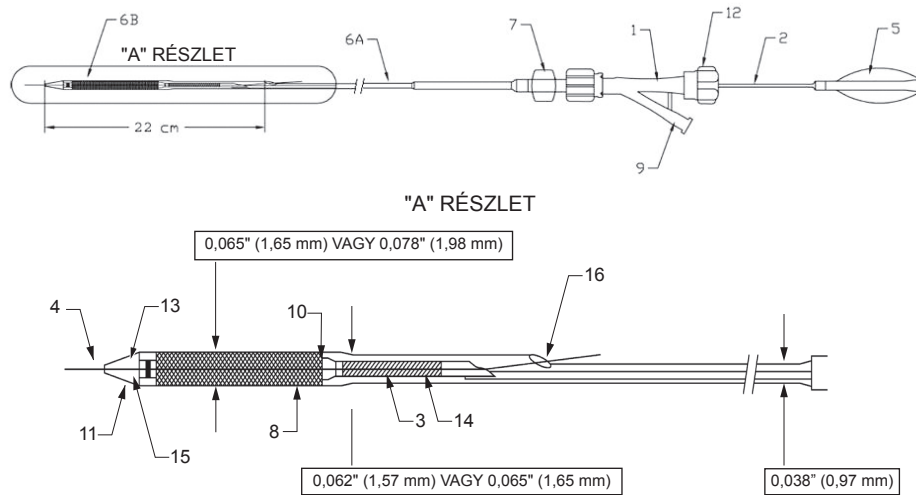
EXONÉRATION DE GARANTIE ET LIMITE DES RECOURS

SILK ROAD MEDICAL, INC. N'ACCORDE AUCUNE GARANTIE EXPLICITE OU IMPLICITE SUR SES PRODUITS, ET NOTAMMENT AUCUNE DÉCLARATION OU GARANTIE IMPLICITE DE QUALITÉ MARCHANDE OU D'ADÉQUATION À UN USAGE PARTICULIER. LA RESPONSABILITÉ DE SILK ROAD MEDICAL NE SAURAIT EN AUCUN CAS ÊTRE ENGAGÉE POUR UN QUELCONQUE DOMMAGE DIRECT OU INDIRECT, SAUF DISPOSITIONS CONTRAIRES EXPLICITES DE LA LOI. NUL N'EST AUTORISÉ À ENGAGER LA RESPONSABILITÉ DE SILK ROAD MEDICAL AU-DELÀ DES TERMES DES PRÉSENTES.

Les descriptions ou caractéristiques techniques présentes dans les documents fournis par Silk Road Medical, y compris le présent mode d'emploi, sont uniquement destinées à décrire d'une manière générale le ou les produits au moment de leur fabrication et ne sauraient en aucun cas constituer une promesse ou une garantie explicite ou implicite applicable à un quelconque produit, y compris, sans toutefois s'y limiter, une garantie implicite, une garantie de valeur marchande ou une garantie d'adéquation à un usage particulier.

Tous les produits de Silk Road Medical sont destinés à un usage unique. Ils ne peuvent en aucun cas être réutilisés ou restérilisés pour quelque motif que ce soit ; les usages multiples n'ont pas été validés. La responsabilité de Silk Road Medical ne saurait en aucun cas être engagée pour un quelconque dommage, direct ou indirect, lié à la réutilisation ou à la restérilisation de ses produits.

Használati utasítás Silk Road Medical ENROUTE® transzkrotisz sztent rendszer



1. ábra ENROUTE TRANZKAROTISZ SZTENT RENDSZER

- | | |
|--|---|
| 1. Tuohy Borst szelep | 9. Tuohy Borst Y-csatlakozó |
| 2. Hipocső | 10. Proximális belső szár marker (stop) jelzések a sztent hátsó végének jelzésére |
| 3. Tekercs | 11. Külső hüvely sugárfogó markere |
| 4. Katéter belső szárának vége | 12. Proximális szelepvég |
| 5. Belső szár csatlakozója | 13. Disztális belső szár sztent markere |
| 6A. Proximális szár | 14. Tekercsmandzsetta |
| 6B. Disztális külső hüvely | 15. Drót lumen |
| 7. Külső hüvely Luer csatlakozója | 16. Vezetődrót kilépési portja |
| 8. Az összenyomott sztentet tartalmazó ház | |

STERIL. Etilén-oxid gázzal sterilizálva. Nem pirogén. Sugárfogó. Kizárólag egyszeri használatra. Tilos újraszterilizálni. Hűvös, száraz helyen tartandó.

Kizárólag a Silk Road Medical ENROUTE transzkrotisz neuroprotekción rendszerrel használható.

Az USA-ban nem forgalmazható.

I. Az eszköz neve

A eszköz márkaneve Silk Road Medical **ENROUTE®** transzkrotisz sztent rendszer.

II. Leírás

A Silk Road Medical **ENROUTE** transzkrotisz sztent rendszer egy 0,065" (1,65 mm) vagy egy 0,078" (1,98 mm) méretű, hüvelyben lévő behelyező rendszerre előre felszerelt önnnyíló nitinol sztentből áll. A behelyező rendszer fő része egy sugárfogó markerekkel ellátott belső szár és külső hüvely, valamint egy Tuohy Borsí szelep. A belső szár egy támasztóelemből és egy drót lumenből áll. A támasztóelem proximális részét egy rozsdamentes acél dróthoz és egy hipocsőhöz csatlakoztatott elosztó, disztális részét pedig egy rozsdamentes acél tekercs alkotja. A drót lumen disztálisan a katétervégben kezdődik, és proximálisan egy 0,014" (0,36 mm) méretű vezetődrótok befogadására alkalmas vezetődrót kilépési pontban végződik. A külső hüvely tartalmaz egy proximális szárat és egy disztális külső hüvelyt, névleges munkahossza 57 cm. Az önnnyíló sztent a belső szár és a disztális külső hüvely közötti térben van összenyomva, a belső szár disztális és proximális sztentmarkerei között. A sztent akkor veszi fel szabad átmérőjét, amikor a behelyező katéterből kioldják az érbe. Kinyitáskor a sztent rács alakot vesz fel, és kifelé nyomja az érlumént, segítve az ér átjárhatóságának fenntartását. A nitinol önnnyíló tulajdonsága miatt a sztenteket olyan erekbe célszerű helyezni, amelyek átmérője 1-2 mm-rel kisebb a sztent szabad átmérőjénél. Az eszköz illusztrációját és összetevőit az **1. ábra** mutatja.

III. Használati javallatok

A Silk Road Medical (SRM) **ENROUTE** transzkrotisz sztent rendszer használata a Silk Road Medical (SRM) ENROUTE transzkrotisz neuroprotekción rendszerrel együtt alkalmazva a koszorúartériák sztenósisával rendelkező betegnél javallt.

IV. Ellenjavallatok

Általában véve a PTA ellenjavallatai a sztentbehelyezésnek is ellenjavallatai. Az ellenjavallatok többek között lehetnek:

- PTA-ra rezisztens, nagyfokú kalcifikációt mutató elváltozásokkal bíró betegek.
- Nagyméretű szomszédos akut vagy szubakut trombussal rendelkező célelváltozásokkal bíró betegek.
- Kezeletlen vérzési zavarral rendelkező betegek.
- Intrakraniális artériák sztentelése.

V. Figyelmeztetések

- A csomagon található szürke hőmérsékletjelzőn lévő fekete pontozott mintázatnak tisztán láthatónak kell lennie. Ne használja fel, ha a teljes kör teljesen fekete, mivel ilyenkor előfordulhat, hogy nem megfelelő a szabadon lévő sztent átmérője.
- Az SRM **ENROUTE** transzkrotisz sztent rendszer kizárólag egyszer használható fel. TILOS az eszköz újrasztelizálása és/vagy újrafelhasználása.
- A termék ismételt felhasználása - beleértve az újrafeldolgozás és/vagy újrasztelizálás utáni használatot is - a szerkezeti integritás elvesztését okozhatja, amely az eszköz rendelkezésre állásának elvesztéséhez, valamint a besorolási/felhasználási adatok érvénytelenné válásához vezethet, és ez mind a beteg biztonságának esetleges kockázatát jelentheti.
- Tilos felhasználni, ha a tasak nyitott vagy sérült.
- A sztentet és a behelyező rendszert a csomagoláson feltüntetett lejárati ("Use By") dátum előtt fel kell használni.
- Tilos Ethiodol vagy Lipiodol (az Ethiodol és a Lipiodol a Guerbet S.A. védjegyei) kontrasztanyaggal együtt használni.
- Ne tegye ki a behelyező rendszert szerves oldószereknek (pl. alkohol).
- Az SRM ENROUTE transzkrotisz neuroprotekción rendszer transzkrotisz artériás hüvelyétől eltérő, kisebb tartozék használatakor a sztentbehelyező rendszer előretolásakor levegő juthat az eszközbe, amely szívással nem távolítható el.

- A sztent nem alkalmas a rángatásra vagy az újrapozicionálásra.
- Ha a sztentet részlegesen kinyitották, az a sztentbehelyező rendszerrel már nem ragadható meg újra.
- A többi vaszkuláris implantátumhoz hasonlóan a sztent kontaminációjából származó fertőzés trombózishoz, álaneurizmához vagy szakadáshoz vezethet.
- A sztent trombust, disztális embolizációt okozhat, illetve elvándorolhat a beültetés helyére az artéria lumenében előre.
- Az artéria túlzott feszülése szakadást és életet veszélyeztető vérzés eredményezhet.

Nem ajánlott a sztent használata a következő állapotokkal rendelkező betegeknél:

- A nikkeltitánra (Nitinol) allergiás betegeknél allergiás reakció léphet fel az implantátummal szemben.
- Rossz vesefunkciójú betegeknél, akiknél az orvos véleménye szerint reakció léphet fel a kontrasztanyaggal szemben.
- Terhes betegek.
- Vérzési zavarokkal rendelkező betegek, illetve betegek, akik nem kaphatnak antikoaguláns vagy vérlemezke-aggregáció gátló kezelést.
- Kontrasztanyag-kilépéssel bizonyított érsérüléssel rendelkező betegek.
- A léziótól közvetlenül proximálisan vagy disztálisan aneurizma tágulattal rendelkező betegek.

VI. Óvintézkedések

- Az eszközt olyan orvosok használhatják, akik megfelelő képzésben részesültek az endovaszkuláris eljárásokkal és az intravaszkuláris sztentek behelyezésével kapcsolatos intervenciós technikákban.
- A behelyező rendszer nem alkalmas infúziós pumpával való használatra. Infúziós pumpa használata ronthatja az eszköz teljesítményét.
- Amikor a katéter a testben van, az kizárólag képerősítő alatt manipulálható.
- Ehhez magas minőségű képek készítésére alkalmas radiográfias berendezésre van szükség.
- Több lézió kezelésekor először a disztális léziót kell sztentelni, majd azt követően a proximálisat. Az ilyen sorrendben történő sztenteléssel elkerülhető, hogy a disztális sztent behelyezésekor keresztelni kelljen a proximális sztentet, így csökken a veszélye a korábban már behelyezett sztentek elmozdításának.
- Óvatosan járjon el, amikor kinyitott a sztenthez más eszközökkel jár közel.
- A kinyitott sztent trombózisa esetén trombolízist és PTA-t kell megkísérelni.
- Szövődmény - pl. fertőzés, álaneurizma vagy sipolyképződés - esetén szükség lehet a sztent sebészi eltávolítására. Ilyenkor a szabványos sebészi eljárást kell alkalmazni.
- A sztentbehelyezés előtt vagy közvetlenül azután antacidumok és/vagy H₂-antagonisták alkalmazását igénylő betegeknél romolhat a vérlemezke elleni (pl. aspirin) gyógyszerek orális felszívódása.
- A karotisz sztentelés közben vénás hozzáférést kell biztosítani, hogy akár gyógyszeres, akár átmeneti pacemakeres beavatkozással uralható legyen az esetleges bradikardia és/vagy alacsony vérnyomás.
- Az SRM **ENROUTE** transzkarotisz sztent rendszer szállításakor a Tuohy Borst szelep **NYITOTT** helyzetben van (lásd: „A sztentbehelyező rendszer előkészítése”).

- A sztent kinyitása előtt szüntessen meg minden lazaságot a katéterfelhelyező rendszeren (lásd: „A sztent kinyitása”).
- Ügyeljen a katéterrendszer átöblítésekor a „Bevezetés a sztentbehelyező rendszerhez” és „A sztentbehelyező rendszer előkészítése” c. részekben leírt lépések betartására. Ennek elmulasztásával levegő kerülhet a hozzáférést biztosító katéterbe.
- **Hűvös, száraz helyen tartandó.**

VII. Lehetőségek szövődmények

Endovaszkuláris katéter bevezetésével járó beavatkozásokat tilos olyan orvosoknak megkísérelni, akik nincsenek tisztában a lehetséges szövődményekkel. A beavatkozás közben és után bármikor szövődmények fordulhatnak elő.

A lehetséges szövődmények többek között:

- Halál
- Légzésleállás
- Sürgősségi artéria bypass graft műtét
- Vérzéses vagy embóliás stroke / TIA
- Veseelégtelenség
- Szepszis / fertőzés
- Embólia
- Koszorúér iszkémia
- Szívritmuszavar
- Gyógyszerreakciók, allergiás reakció a kontrasztanyagra vagy a beültetett eszközre
- Érsérülés, beleértve a perforációt, a szakadást és a disszekciót
- Disszeminált intravaszkuláris koaguláció
- Újonnan kialakult vagy rosszabbodó encefalopátia
- Az antikoaguláns / vérlemezke elleni gyógyszerek okozta gasztrointesztinális vérzés
- Vérzés
- Parenchymás vérzés
- Aneurizma vagy álaneurizma képződés
- Intimasérülés / -disszekció
- A sztent elvándorlása / embolizáció
- Trombózis
- Bradikardia és alacsony vérnyomás
- Arteriovenózus fisztula
- Szöveti elhalás
- A sztent nem megfelelő elhelyezése
- Érelzáródás, resztenózis, illetve visszatérő szűkület
- Vérömleny
- Az arteria carotis érgörcse

VIII. Használati utasítás

A beavatkozás előtt

A betegnek 72 órával az eljárás előtt a kórházi adagolási irányelvek vagy az orvos előírása szerint nem pufferelt, nem enteroszolvens aszpirint kell kapnia. Az eljárás előtt 24-48 órával a kórházi protokollnak megfelelően vérlemezkegátló kezelést kell indítani. A karotisz sztentelési eljárás utáni vérlemezkegátló kezelést az orvos utasításai szerint kell végezni.

A sztent szűkült arteria carotisba való endovaszkuláris behelyezését angiográfiára alkalmas helyiségben kell végezni. Angiográfiát kell végezni az elváltozás(ok) kiterjedése és a kollaterális áramlás feltérképezése érdekében. A hozzáférést biztosító ereknek átjárhatónak, illetve elegendő mértékben rekanalizálnak kell lenniük a beavatkozás folytatásához. A beteg előkészítésének és a sterilítási szabályoknak meg kell egyezniük a többi endovaszkuláris eljárásnál alkalmazottakkal.

1. Kontrasztanyag befecskendezése

Készítsen angiogramot a szabványos technikák segítségével.

2. A lézió azonosítása és megjelölése

Képerősítő alatt azonosítsa és jelölje meg az elváltozást, megkeresve a sztenózis legdisztálisabb pontját.

Az eszköz kiválasztása és előkészítése

1. Szentméret kiválasztása

Mérje le a célelváltozás hosszát a szükséges sztenthossz(ak) meghatározásához. Mérje le a referenciaér (a léziótól proximálisan és disztálisan) átmérőjét. Olyan sztentet kell választani, aminek a szabad átmérője legalább 1 mm-rel nagyobb a legnagyobb referenciaér-átmérőnél, így érhető el a következő sztentméret táblázatnak megfelelő biztonságos behelyezés.

Szentméret táblázat		
Érlumen átmérője	Szabad sztentátmérő	%-os hosszrövidülés
3,0 – 4,0 mm	5,0 mm	1,2%
4,0 – 5,0 mm	6,0 mm	2,4%
5,0 – 6,0 mm	7,0 mm	4,1%
6,0 – 7,0 mm	8,0 mm	6,2%
7,0 – 8,0 mm	9,0 mm	5,8%
8,0 – 9,0 mm	10,0 mm	8,0%

A sztenthosszt a termék címkén találja.

Megjegyzés: A sztenthossz százalékos megrövidülése matematikai számításon alapul.

2. A sztentbehelyező rendszer előkészítése

VIGYÁZAT: A sztentbehelyező rendszer szállításakor a Tuohy Borst szelep **NYITVA** van. Ügyeljen rá, nehogy az előkészítés során idő előtt kinyissa a sztentet. Készítse elő a tálcában lévő eszközt az alábbi utasításoknak megfelelően. Zárja le a Tuohy Borst szelepet, mielőtt az eszközt kivenné a tálcából.

- Nyissa ki a külső dobozt, amelyben a sztentet és a behelyező rendszert tartalmazó tasak található.
- Ellenőrizze a tasakon lévő hőmérsékletjelzőn, hogy szürke alapon fekete pontozott mintázatot mutat-e. Lásd a Figyelmeztetések című részt.
- A tasak gondos - a sterilítási védőgátat ért sérülésekre irányuló - átvizsgálása után óvatosan nyissa ki a külső tasakot, és vegye ki a tálcát. Amennyiben felmerül, hogy az eszköz sterilítése vagy működése kérdéses, nem szabad az eszközt felhasználni.
- Még a tálcában illesszen egy zárócsapot a Tuohy Borst szelep Y csatlakozójára.
- Csatlakoztasson egy 5 ml-es, heparinos sóoldattal töltött fecskendőt a nyitott zárócsaphoz, majd alkalmazzon pozitív nyomást, amíg a sóoldatcsepp meg nem jelenik a Tuohy Borst szelep proximális végén. Zárja le a Tuohy Borst szelepet.
- Zárja le a Tuohy Borst Y csatlakozójához csatolt zárócsapot.

- g. Vegye ki a sztentbehelyező rendszert a tálcából. Vizsgálja meg, hogy nem sérült-e az eszköz. Ellenőrizze a katéter disztális végét, hogy a sztent a külső hüvelyben van-e. Ne használja, ha a sztent részlegesen nyitott. Ha rés van a katétervég és a külső hüvely vége között, nyissa ki a Tuohy Borst szelepet, és óvatosan húzza a belső szárat proximális irányba addig, amíg a rés el nem tűnik. A módosítást követően zárja le a Tuohy Borst szelepet a proximális szelepvégnek az óramutató zárásával megegyező irányban történő forgatásával.

A sztent kinyitásának menete

1. Az SRM ENROUTE transzkrotisz neuroprotektív rendszer behelyezése.

- a. Keresse fel a kezelni kívánt területet az SRM ENROUTE transzkrotisz neuroprotektív rendszerrel.

MEGJEGYZÉS: Az elhelyezését és használatát illető utasítások tekintetében, kérjük, olvassa el a ENROUTE transzkrotisz neuroprotektív rendszer Használati utasítását.

- b. Az **ENROUTE** transzkrotisz sztent rendszer 0,014" (0,36 mm) vagy kisebb méretű vezetődróttal kompatibilis.

2. Az elváltozás tágítása

- a. Ha lehet, tágítsa elő a léziót a szabványos PTA technikák segítségével.
- b. Vegye ki a PTA ballonkatétert a betegből úgy, hogy közben a vezetődróttal fenntartja az elváltozáshoz való hozzáférést.

3. A sztentbehelyező rendszer bevezetése

- a. A levegő eltávolításához öblítse át a sztentbehelyező rendszer vezetődrót lumenét heparinos sóoldattal úgy, hogy egy heparinos sóoldattal töltött 5 ml-es fecskendővel csatlakoztatja a Tuohy Borst szelepet (1) Y csatlakozójához (9) csatolt zárócsapra. A sztent idő előtti kinyitásának elkerülésére ellenőrizze, hogy a Tuohy Borst szelepet (1) zárt helyzetben van-e. Alkalmazzon pozitív nyomást a fecskendőben, amíg meg nem jelenik a sóoldatcsepp a vezetődrót kilépési porton (16). Miközben a hüvely- és a mutatóujjával letakarja a vezetődrót kilépési portját (16), alkalmazzon pozitív nyomást a fecskendőben, amíg a sóoldatcsepp meg nem jelenik a katétervégén (4), valamint a külső hüvely sugárfogó markere (11) és a katétervég (4) közötti térben. Folytassa az öblítést a rendszerben lévő összes levegő eltávolításához, majd zárja le a Tuohy Borst szelepet (1) Y csatlakozóján (9) lévő zárócsapot.
- b. A sztent idő előtti kinyitásának megelőzéséhez ellenőrizze, hogy a belső szárat és a külső hüvelyt összekötő Tuohy Borst szelepet zárva van. Ehhez az óramutató járásával megegyező irányban fordítsa el a proximális szelepvéget.
- c. Tolja az SRM **ENROUTE** transzkrotisz sztent rendszert a 0,014" (0,36 mm) méretű vezetődróra úgy, hogy a vezetődrót kilépési portja (16) éppen túlérjen az ENROUTE rendszer transzkrotisz artériás hüvely szelepeén. Ellenőrizze, hogy a folyadék visszaáramlik a vezetődrót kilépési porton (16).
- d. A visszaáramlás megerősítése után tolja az SRM ENROUTE transzkrotisz sztent rendszert az elváltozás területére.
- e. Végezzen kontrasztanyag injekciót az ENROUTE transzkrotisz neuroprotektív rendszer Használati utasítása szerint.

4. A laza szakaszok eltávolítása

- a. Tolja a sztentbehelyező rendszert túl a lézió területén.
- b. Húzza vissza a sztentbehelyező rendszert úgy, hogy a sugárfogó belső szár markerei (a disztális és proximális végen) a célelváltozástól proximális és disztális pozícióba kerüljenek.
- c. Ellenőrizze, hogy a sztentbehelyező rendszer betegen kívüli része lapos és egyenes maradjon.

VIGYÁZAT: A katéterszár betegen belüli vagy kívüli részének lazasága azt eredményezheti, hogy a sztent a lézió területén túl nyílik ki.

5. A sztent kinyitása

MEGJEGYZÉS: Amikor minden készen áll a sztent kinyitására, heparin adható a kórházi gyakorlatnak vagy az orvos előírásainak megfelelően. Amennyiben a kórházi protokoll, illetve az orvos előírása megkívánja, a heparin a sztent kinyitását követően is folytatható.

- a. Ellenőrizze, hogy a behelyező rendszer sugárfogó belső szár markerei (proximális és disztális végek) a célléziótól proximálisan és disztálisan helyezkednek el.
- b. Oldja ki a behelyező rendszer belső szárát és külső hüvelyét összekapcsoló Tuohy Borst szelepet.
- c. Ügyeljen rá, hogy kinyitás közben a hozzáférést biztosító hüvely ne mozogjon.
- d. Kezdje meg a sztent kinyitását a külső hüvely visszahúzásával, miközben a belső szárát rögzített helyzetben tartja. A kinyitás akkor teljes, amikor a külső hüvely markere áthalad a belső szár proximális sztentmarkerén.

MEGJEGYZÉS: A sztent kinyitásának mechanikáját a külső hüvely visszahúzása működteti. A kinyitáshoz a belső szárát egy helyben kell tartani a külső hüvely visszahúzása közben, és hagyni kell a sztentet kitégyni (ezt gyakran „pin-and-pull” módszernek is nevezik).

MEGJEGYZÉS: Amennyiben több sztent szükséges a lézió lefedéséhez, a disztálisabb sztentet kell először elhelyezni. Törekedni kell arra, hogy minimális legyen a sztentek átfedése. Semmilyen esetben sem lehet átfedés kettőnél (2) több sztent között.

6. Kinyitás utáni sztentágítás

- a. Képerősítő alatt húzza vissza a teljes behelyező rendszert egy egységként a vezetődróton át, ki a testből. Vegye le a behelyező eszközt a vezetődróról.

MEGJEGYZÉS: Amennyiben bármilyen ellenállást észlel a behelyező rendszer visszahúzása közben, tolja előre a külső hüvelyt addig, amíg a külső hüvely markere hozzá nem ér a katéter végéhez, majd húzza ki egy egységként a rendszert. (Ne húzza ki a vezetődrótot.)

- b. Képerősítővel ellenőrizze a sztent teljes kinyílását.
- c. Ha a lézió bármely pontján elégtelen a sztent kitégülése, kinyitás utáni ballonos tágítás végezhető (a szabványos PTA technikáknak megfelelően).
- d. Válasszon egy megfelelő méretű PTA ballonkatétert, és tágítsa meg a léziót a hagyományos technikáknak megfelelően. Az utótágításhoz használt PTA ballonkatéter feltöltési átmérőjének nagyjából egyenlőnek kell lennie a referenciaér átmérőjével. Vegye ki a PTA ballonkatétert a betegből.

7. A sztent behelyezése után

- a. Behelyezés utáni angiogramot kell készíteni.
- b. Vegye ki az SRM ENROUTE transzkrotisz neuroprotektív rendszert az SRM ENROUTE transzkrotisz neuroprotektív rendszer Használati utasítása szerint, majd végezzen vérzéscsillapítást.
- c. Dobja ki az SRM **ENROUTE** sztentbehelyező rendszert, a vezetődrótot, valamint az SRM ENROUTE transzkrotisz neuroprotektív rendszert.

MEGJEGYZÉS: Az orvos tapasztalata és egyéni döntése határozza meg a megfelelő beavatkozás utáni gyógyszeres kezelést az egyes betegek esetében.

IX. MRI kompatibilitás

Nem klinikai vizsgálatok megállapították, hogy az ENROUTE transzkatotisz sztent bizonyos feltételek mellett alkalmazható MR környezetben (MR feltételes). Az eszközzel bíró beteg a következő feltételek mellett biztonságosan vizsgálható MR berendezéssel:

- 1,5 vagy 3 teslási statikus mágneses mező, illetve
- 4000 gauss/cm (40 tesla/m) vagy kisebb maximális térbeli gradiensű mágneses mező
- Az MR berendezés által jelentett maximális teljesítmény-átlagolt specifikus abszorpciósi ráta (SAR) 2-W/kg (normál működési mód)

A fent meghatározott leképezési feltételek mellett az ENROUTE transzkatotisz sztent várható maximális hőmérséklet-emelkedése 2,4 °C 15 perc folyamatos szkennelést követően.

Nem klinikai vizsgálatok alapján az eszköz által okozott képi műtermékek körülbelül 5 mm-re terjednek az ENROUTE transzkatotisz sztenttől gradiens echo impulzusszekvenciával és 3 teslási MRI rendszerrel való képalkotás esetén. A műtermék nem fedi el az eszköz lumenét.

X. Kiszereelés

Az SRM **ENROUTE** transzkatotisz sztent rendszer szállításkor steril (etilén-oxiddal sterilizálva), és **KIZÁRÓLAG EGYSZER HASZNÁLHATÓ FEL.**











**JÓTÁLLÁSI NYILATKOZAT ÉS A JOGORVOSLATTAL
KAPCSOLATOS KORLÁTOZÁSOK**

A SILK ROAD MEDICAL, INC. NEM VÁLLAL A TERMÉKEIVEL KAPCSOLATBAN SEMMILYEN KIFEJEZETT VAGY BELEÉRTETT JÓTÁLLÁST, KORLÁTOZÁS NÉLKÜL IDEÉRTVE A FORGALOMBA HOZHATÓSÁGRA, ILLETVE AZ ADOTT CÉLNAK VALÓ MEGFELELŐSÉGRE VONATKOZÓ BELEÉRTETT JÓTÁLLÁST. A SILK ROAD MEDICAL SEMMILYEN KÖRÜLMÉNYEK KÖZÖTT NEM TEHETŐ FELELŐSSÉ SEMMILYEN KÖZVETLEN, VÉLETLEN, ILLETVE KÖVETKEZMÉNYES KÁRÉRT, KIVÉVE A VONATKOZÓ TÖRVÉNYBEN KIFEJEZETTEN RÖGZÍTETTEKET. SENKI NEM RENDELKEZIK FELHATALMAZÁSSAL ARRÁ, HOGY A SILK ROAD MEDICAL VÁLLALATOT EZZEL ELLENTÉTES MÓDON, BÁRMILYEN FORMÁBAN KÉPVESELJE, VAGY HELYETTE JÓTÁLLJON, KIVÉVE AZ ITT KÜLÖN MEGHATÁROZOTTAKAT.

A Silk Road Medical nyomtatott anyagaiban - beleértve a jelen Használati utasítást is - lévő leírások és adatok kizárólag a termék(ek) gyártási időpontjában való leírását szolgálják, és nem jelentenek semmilyen kifejezett vagy beleértett jóállást semmilyen termékre, korlátozás nélkül ideértve minden, a forgalomba hozhatóságra és az adott célnak való megfelelésre vonatkozó beleértett jóállást.

A Silk Road Medical valamennyi terméke kizárólag egyszer használható fel. Egy termék sem használható fel vagy sterilizálható újra semmilyen célból, és egy termék sem rendelkezik jóváhagyással többszöri használatra. A Silk Road Medical nem tehető felelőssé semmilyen kárért, korlátozás nélkül ideértve a termékei ismételt felhasználásából vagy újratesterilizálásából eredő közvetlen, véletlen, illetve következményes károkat.

**Definitions of Symbols / Symbolerklärung / Definiciones de los símbolos /
Definities van symbolen / Definizioni dei simboli /
Définitions des symboles / Szimbólumok jelentése**

	DE Achtung	NL Waarschuwing	FR Avertissement
EN Caution	ES Precaución	IT Attenzione	HU Figyelem!
	DE Mit Ethylenoxid sterilisiert	NL Gesteriliseerd met ethyleenoxide	FR Stérilisé à l'oxyde d'éthylène
EN Sterilized using Ethylene Oxide	ES Esterilizado con óxido de etileno	IT Sterilizzato con ossido di etilene	HU Etilén-oxidál sterilizálva
	DE Verwendbar bis	NL Gebruiken voor	FR Utiliser avant le
EN Use by	ES Utilizar antes de	IT Utilizzare entro	HU Felhasználható
	DE Losnummer	NL Lotnummer	FR Numéro de lot
EN Lot Number	ES Número de lote	IT Numero di lotto	HU Tételszám
	DE Hersteller	NL Fabrikant	FR Fabricant
EN Manufacturer	ES Fabricante	IT Produttore	HU Gyártó
	DE Bei beschädigter Verpackung nicht verwenden	NL Niet gebruiken als de verpakking beschadigd is	FR Ne pas utiliser si l'emballage est endommagé
EN Do Not Use if Package is Damaged	ES No usar si el paquete está dañado	IT Non utilizzare se la confezione è danneggiata	HU Tilos felhasználni, ha a csomagolás sérült
	DE Nicht mit Naturkautschuk-latex hergestellt	NL Niet vervaardigd met natuurrubber latex	FR Ne contient pas de latex de caoutchouc naturel
EN Not Made With Natural Rubber Latex	ES No está fabricado con caucho natural de látex	IT Non prodotto con lattice naturale	HU A készítés során nem használtak fel természetes latexet
	DE Katalognummer	NL Catalogusnummer	FR Numéro de référence
EN Catalog Number	ES Número de catálogo	IT Codice catalogo	HU Katalógusszám
	DE Gebrauchsanweisung lesen	NL Raadpleeg de gebruiksinstructies	FR Consulter le mode d'emploi
EN Consult Instructions for Use	ES Consulte las instrucciones de uso	IT Consultare le istruzioni per l'uso	HU Olvassa el a Használati utasítást
	DE N Stück pro Box	NL N eenheden per doos	FR n unités par boîte
EN N units per box	ES N unidades por caja	IT N. di unità per confezione	HU Dobozonként N egység

**Definitions of Symbols / Symbolerklrung / Definiciones de los smbolos /
Definities van symbolen / Definizioni dei simboli /
Dfinitions des symboles / Szimblumok jelentse**

	DE Nicht wiederverwenden	NL Niet hergebruiken	FR Ne pas rutiliser
EN Do Not Reuse	ES No reutilizar	IT Non riutilizzare	HU Tilos rafelhasznlni
	DE Nicht resterilisieren	NL Niet opnieuw steriliseren	FR Ne pas restriliser
EN Do Not Resterilize	ES No volver a esterilizar	IT Non risterilizzare	HU Tilos jraesterilizlni
	DE Nicht-pyrogen	NL Niet pyrogeen	FR Apyrogne
EN Non-pyrogenic	ES Apirgeno	IT Non pirogeno	HU Pirognmentes
	DE Bedingt MRT-tauglich	NL MRI-veilig onder bepaalde voorwaarden	FR Compatibilit IRM sous conditions
EN MR Conditional	ES Compatible con la RM bajo ciertas condiciones	IT Non sempre adatto alla RM (MR Conditional)	HU MR feltteles
	DE Vor Nsse schtzen	NL Drooghouden	FR Tenir au sec
EN Keep dry	ES Mantener seco	IT Tenere l'umidit	HU Tartsa szrazon
	DE CE-Konformitts-kennzeichnung	NL CE-markering van conformiteit	FR Marquage CE de conformit
EN CE Marking of Conformity	ES Marca CE de conformidad	IT Marchio di conformit a CE	HU CE megfelelsgi jells
	DE Autorisierter Vertreter in der Europischen Union	NL Erkend vertegenwoordiger in de Europese Gemeenschap	FR Reprsentant agre pour la Communaut Europenne
EN Authorized Representative in the European Community	ES Representante autorizado en la Comunidad Europea	IT Rappresentante autorizzato per la Comunit Europea	HU Meghatalmazott kpvisel az Eurpai Uniban
	DE Vor Sonneneinstrahlung schtzen	NL Niet blootstellen aan zonlicht	FR Tenir  l'abri du soleil
EN Keep away from sunlight	ES Mantener lejos de la luz solar	IT Tenere al riparo dalla luce del sole	HU vja a napfnytl



Silk Road Medical, Inc.

1213 Innsbruck Drive
Sunnyvale, CA 94089
United States of America
Phone: +1 (408) 720-9002
Fax: +1 (408) 720-9013
www.silkroadmed.com



MDSS GMBH
Schiffgraben 41
30175 Hannover,
Germany

- (EN) ENROUTE is a registered trademark of Silk Road Medical, Inc. The Silk Road Logo is a registered trademark of Silk Road Medical, Inc. Information concerning patents and trademarks for Silk Road Medical products and procedures can be found at www.silkroadmed.com/patents
- (DE) ENROUTE ist eine eingetragene Marke von Silk Road Medical, Inc. Das Silk Road Logo ist eine eingetragene Marke von Silk Road Medical, Inc. Informationen zu Patenten und Schutzmarken für Produkte und Verfahren von Silk Road Medical finden Sie unter www.silkroadmed.com/patents
- (ES) ENROUTE es una marca comercial registrada de Silk Road Medical, Inc. El logotipo de Silk Road es una marca comercial registrada de Silk Road Medical, Inc. Puede encontrarse información sobre las patentes y las marcas comerciales de los productos y procedimientos de Silk Road Medical en www.silkroadmed.com/patents
- (NL) ENROUTE is een geregistreerd handelsmerk van Silk Road Medical, Inc. Het Silk Road logo is een geregistreerd handelsmerk van Silk Road Medical, Inc. Informatie over octrooien en handelsmerken voor Silk Road Medical producten en procedures vindt u op www.silkroadmed.com/patents
- (IT) ENROUTE è un marchio registrato di Silk Road Medical, Inc. Il logo Silk Road è un marchio registrato di Silk Road Medical, Inc. Le informazioni relative a brevetti e marchi registrati per i prodotti e le procedure Silk Road Medical sono disponibili all'indirizzo www.silkroadmed.com/patents
- (FR) ENROUTE est une marque de commerce déposée de Silk Road Medical, Inc. Le logo de Silk Road est une marque de commerce déposée de Silk Road Medical, Inc. Pour plus de détails concernant les brevets et marques de commerce des produits et procédures de Silk Road Medical, consultez le site www.silkroadmed.com/patents
- (HU) Az ENROUTE a Silk Road Medical, Inc. bejegyzett védjegye. A Silk Road logó a Silk Road Medical, Inc. védjegye. A Silk Road Medical termékek és eljárások esetén a szabadalmakra és védjegyekre vonatkozó információ megtalálható a www.silkroadmed.com/patents webhelyen